

PART/PRINT #:

PART DESCRIPTION:

SCALE:

REVISION:

DATE:

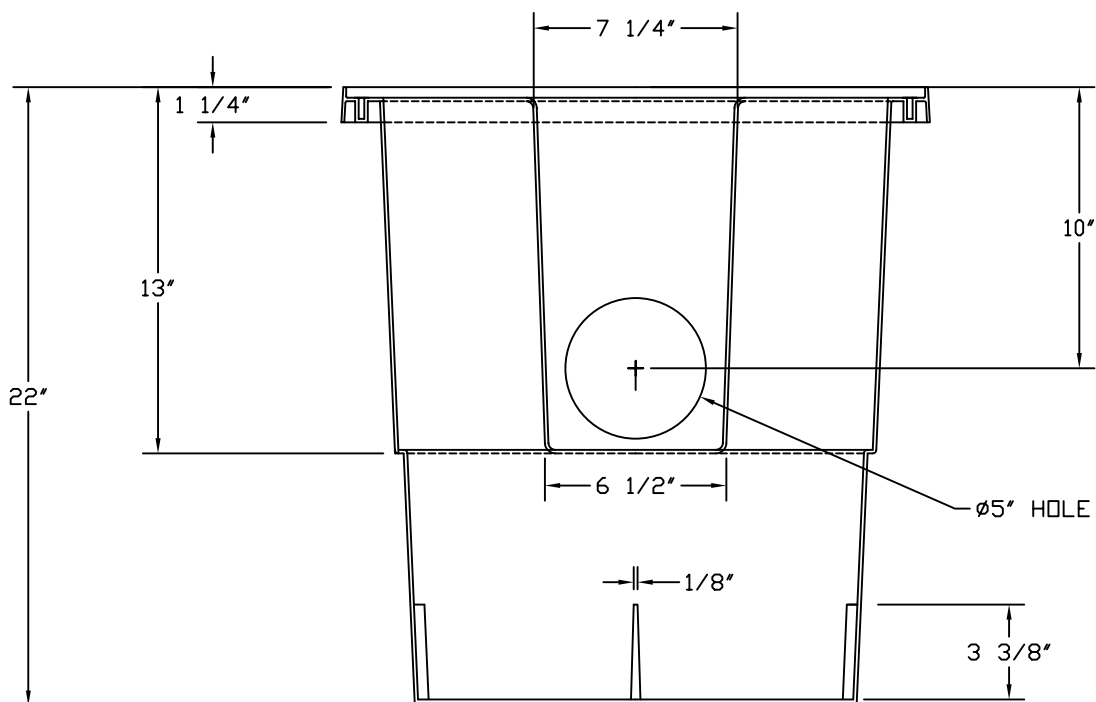
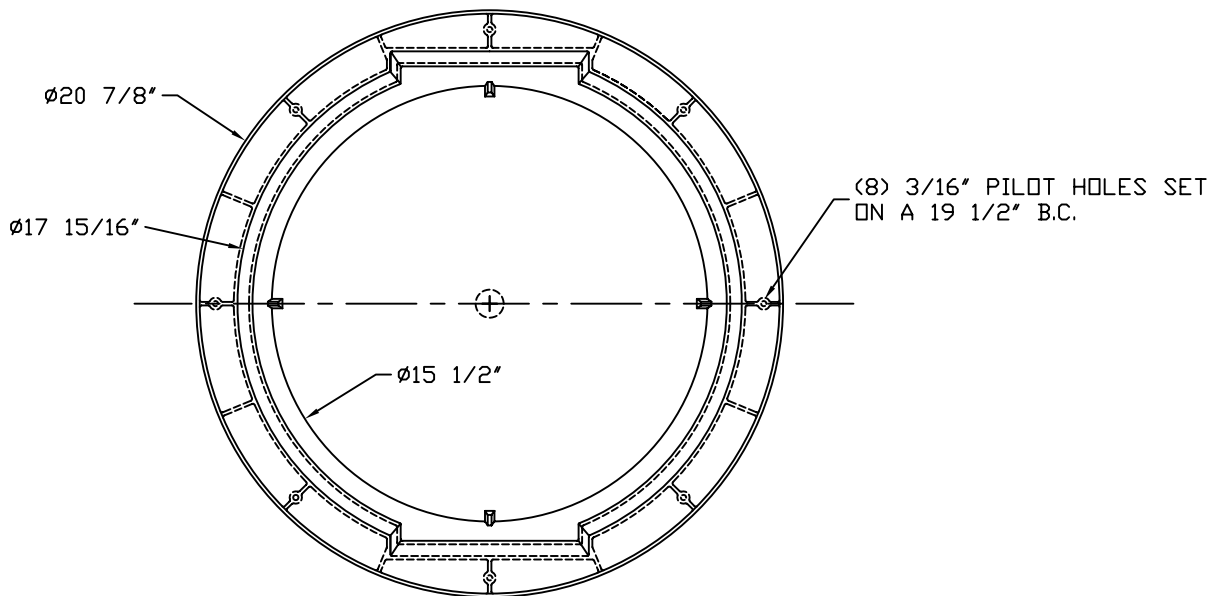
AKP35040

POLYPRO BASIN 18X22 (1) 5" HOLE (10" DOWN)

NOT TO SCALE

002

8/29/03



THIS DRAWING IS THE SOLE PROPERTY OF AK INDUSTRIES INC.

B.O.M
AKR50005 PRO 18X22



AK INDUSTRIES INC.
2055 PIDCO DR.
PLYMOUTH, IN. 46563
PHONE: (574) 936-6022

DRAWN BY:
M. OLIVAREZ

TOLERANCE:
 ± 0.0312 UNLESS SPECIFIED OTHERWISE

SIGNATURE: