

PART/PRINT #: AKP35020

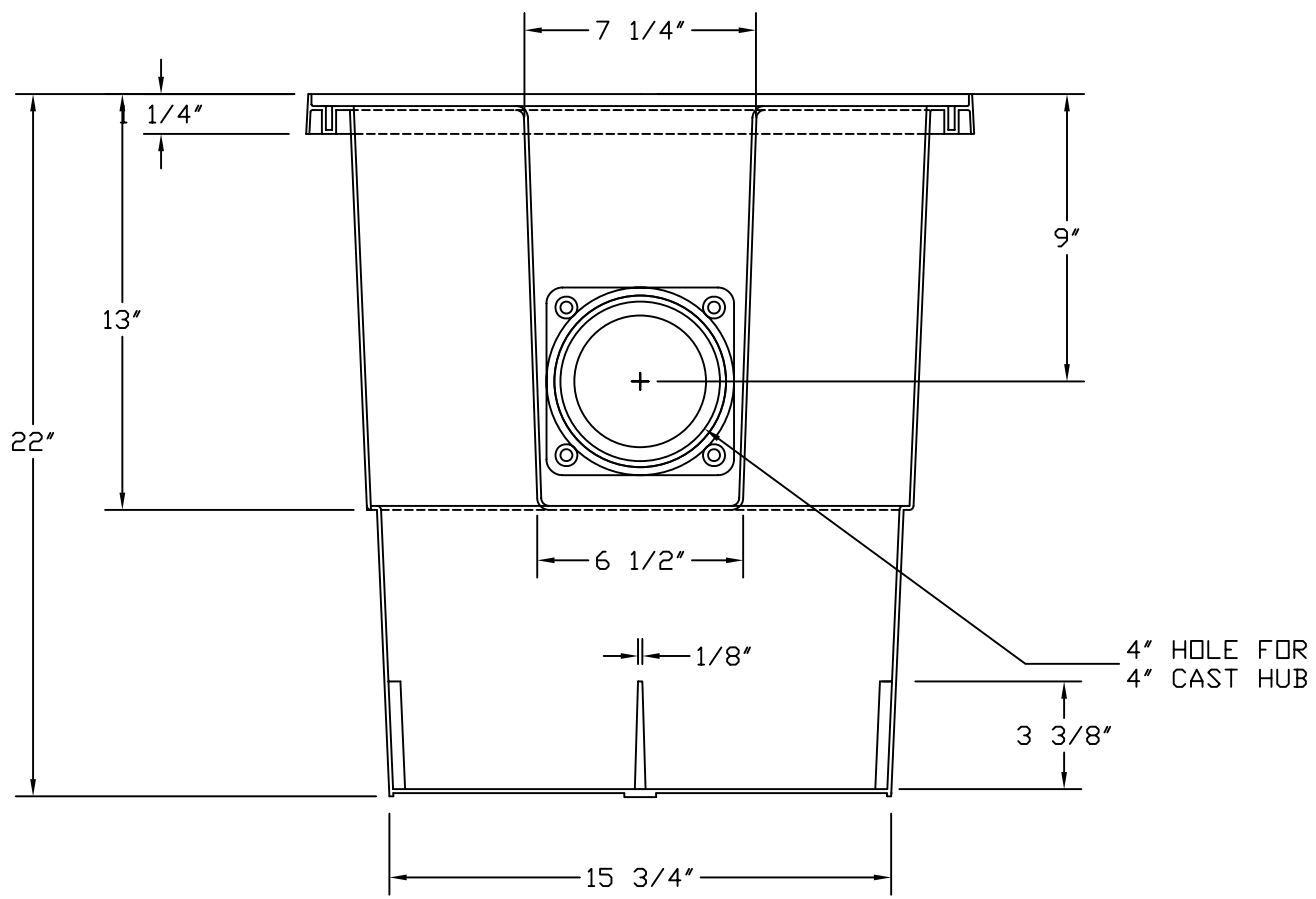
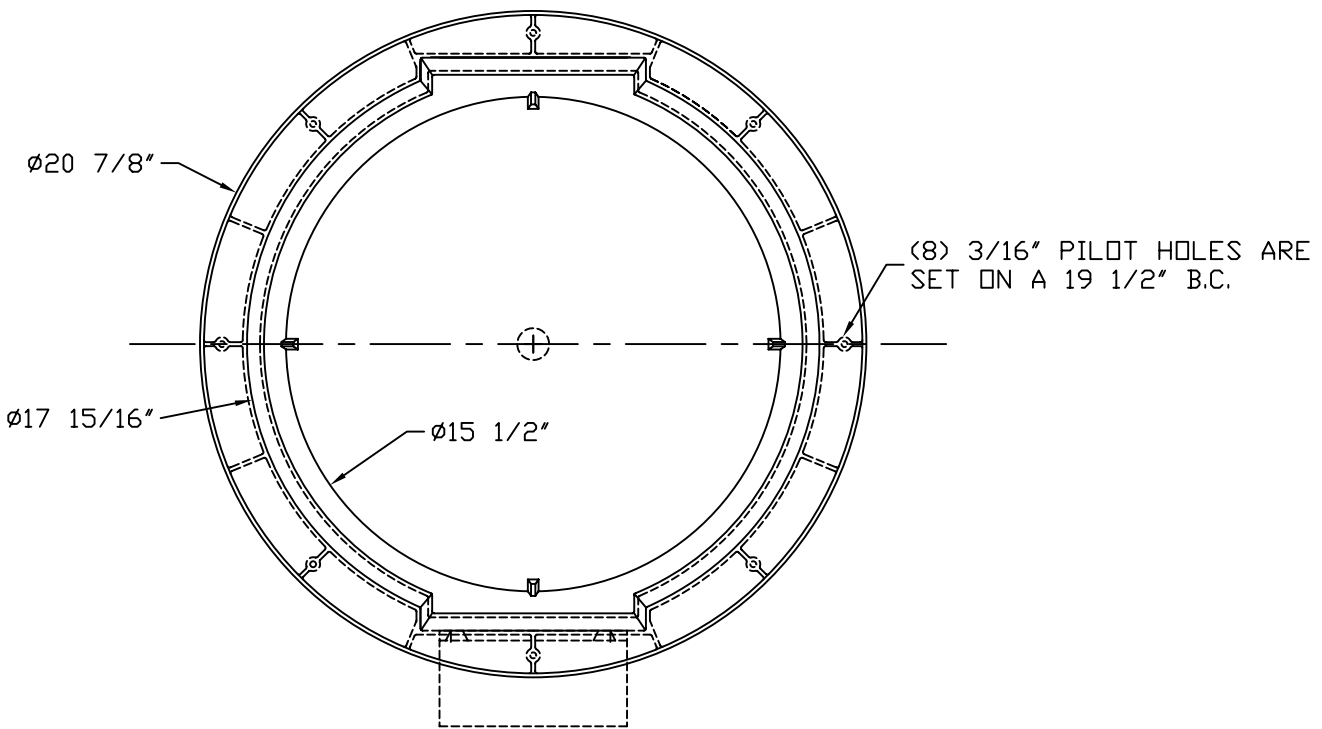
PART DESCRIPTION: POLYPRO BASIN 18X22 (1) CAST IRON HUB

SCALE: NOT TO SCALE

REVISION: 002

DATE: 8/29/03

THIS DRAWING IS THE SOLE PROPERTY OF AK INDUSTRIES INC.



B.O.M.
AKR50005 PRO 18X22
AKP10180 4" CAST HUB



AK INDUSTRIES INC.
 2055 PIDCO DR.
 PLYMOUTH, IN. 46563
 PHONE: (574) 936-6022

DRAWN BY:
 M. OLIVAREZ

TOLERANCE:
 ± 0.0312 UNLESS SPECIFIED OTHERWISE

SIGNATURE: