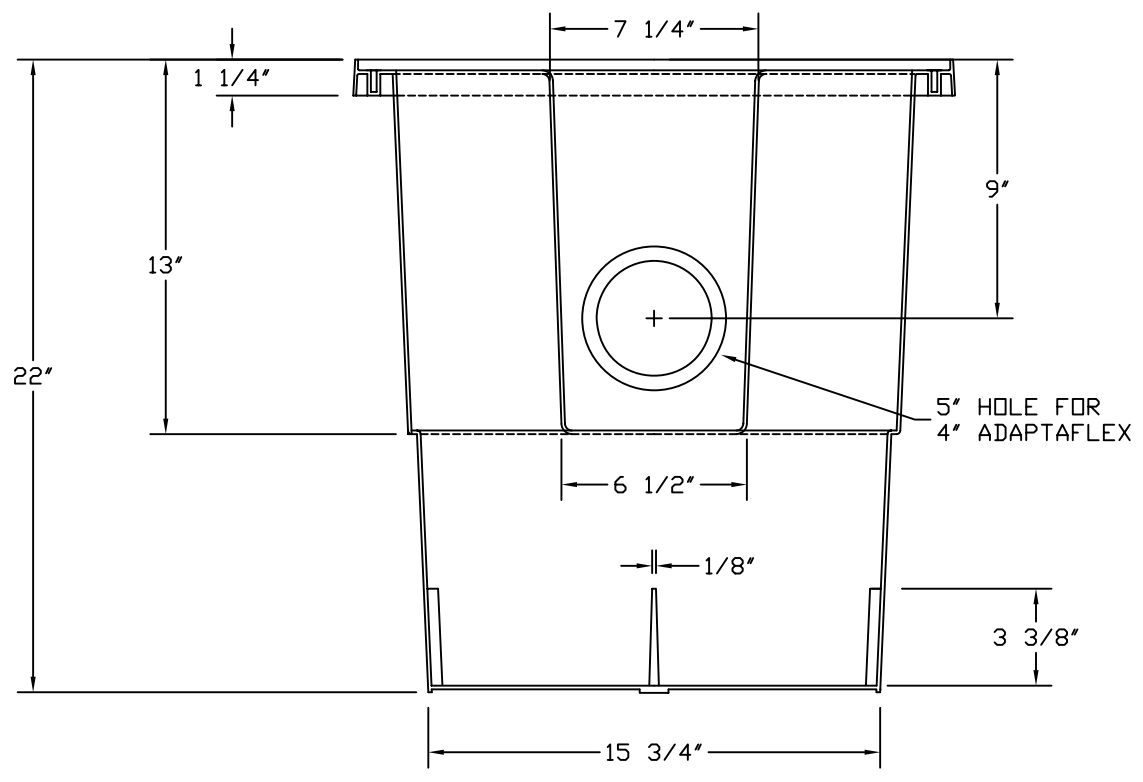
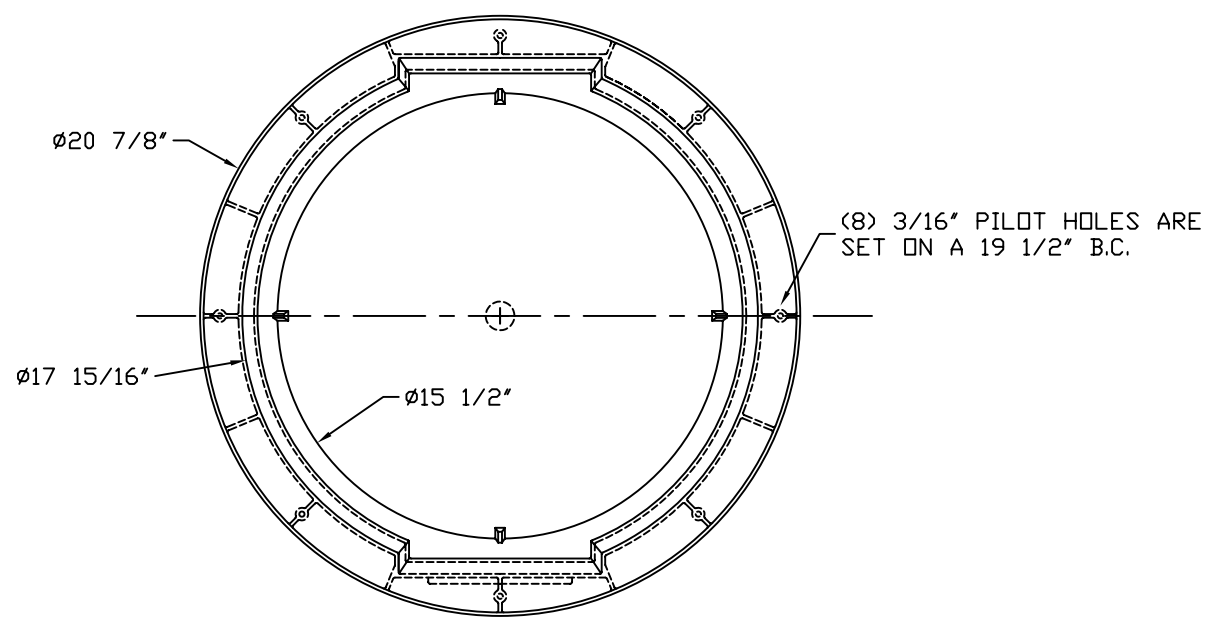


| | | | | |
|---------------|------------------------------------------------|--------------|-----------|---------|
| PART/PRINT #: | PART DESCRIPTION: | SCALE: | REVISION: | DATE: |
| AKP35015 | POLYPRO BASIN 18X22 (1) 4" AAF (9" DOWN)/LOOSE | NOT TO SCALE | 001 | 8/29/03 |

THIS DRAWING IS THE SOLE PROPERTY OF AK INDUSTRIES INC.



B.O.M
AKR50005 PRO 18X22
AKP10111 4" ADAPTALEX W/RETAINING RING



AK INDUSTRIES INC.
 2055 PIDCO DR.
 PLYMOUTH, IN. 46563
 PHONE: (574) 936-6022

DRAWN BY:
 M. OLIVAREZ

TOLERANCE:
 ± 0.0312 UNLESS SPECIFIED OTHERWISE

SIGNATURE: