

PART/PRINT #:

PART DESCRIPTION:

SCALE:

REVISION:

DATE:

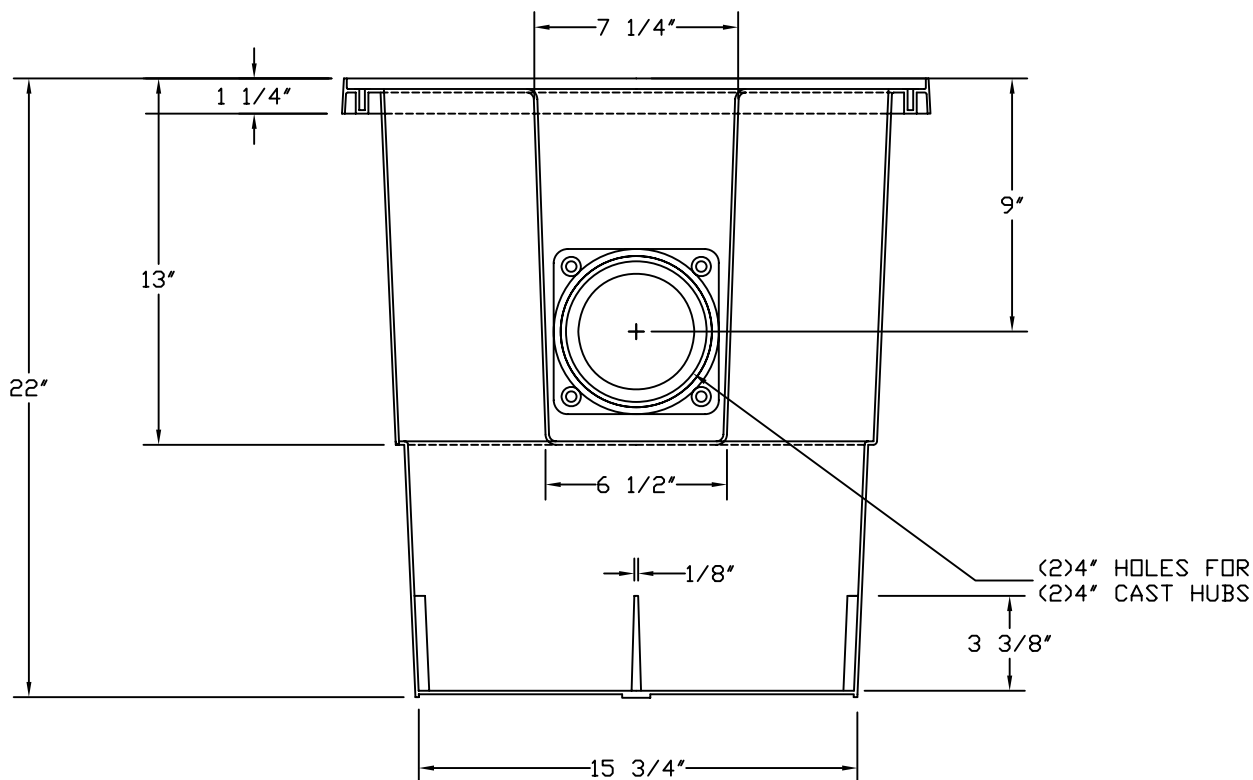
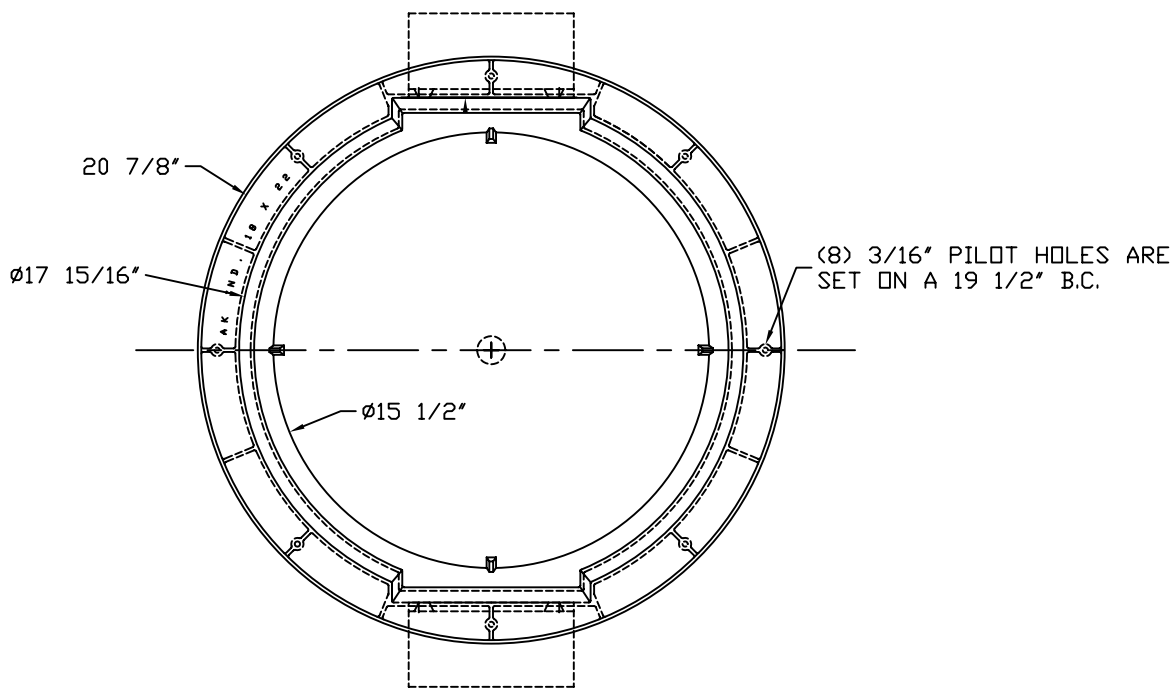
AKP35010

POLYPRO BASIN 18X22 (2) 4" CAST IRON HUB

NOT TO SCALE

002

8/29/03



B.O.M
AKR50005 PRO 18X22
AKP10180 (2) 4" CAST IRON HUB



AK INDUSTRIES INC.
 2055 PIDCO DR.
 PLYMOUTH, IN. 46563
 PHONE:(574) 936-6022

DRAWN BY:
 M.Olivarez

TOLERANCE:
 ± 0.0312 UNLESS SPECIFIED OTHERWISE

SIGNATURE:

THIS DRAWING IS THE SOLE PROPERTY OF AK INDUSTRIES INC.