

PART/PRINT #:

PART DESCRIPTION:

SCALE:

REVISION:

DATE:

AKP35000

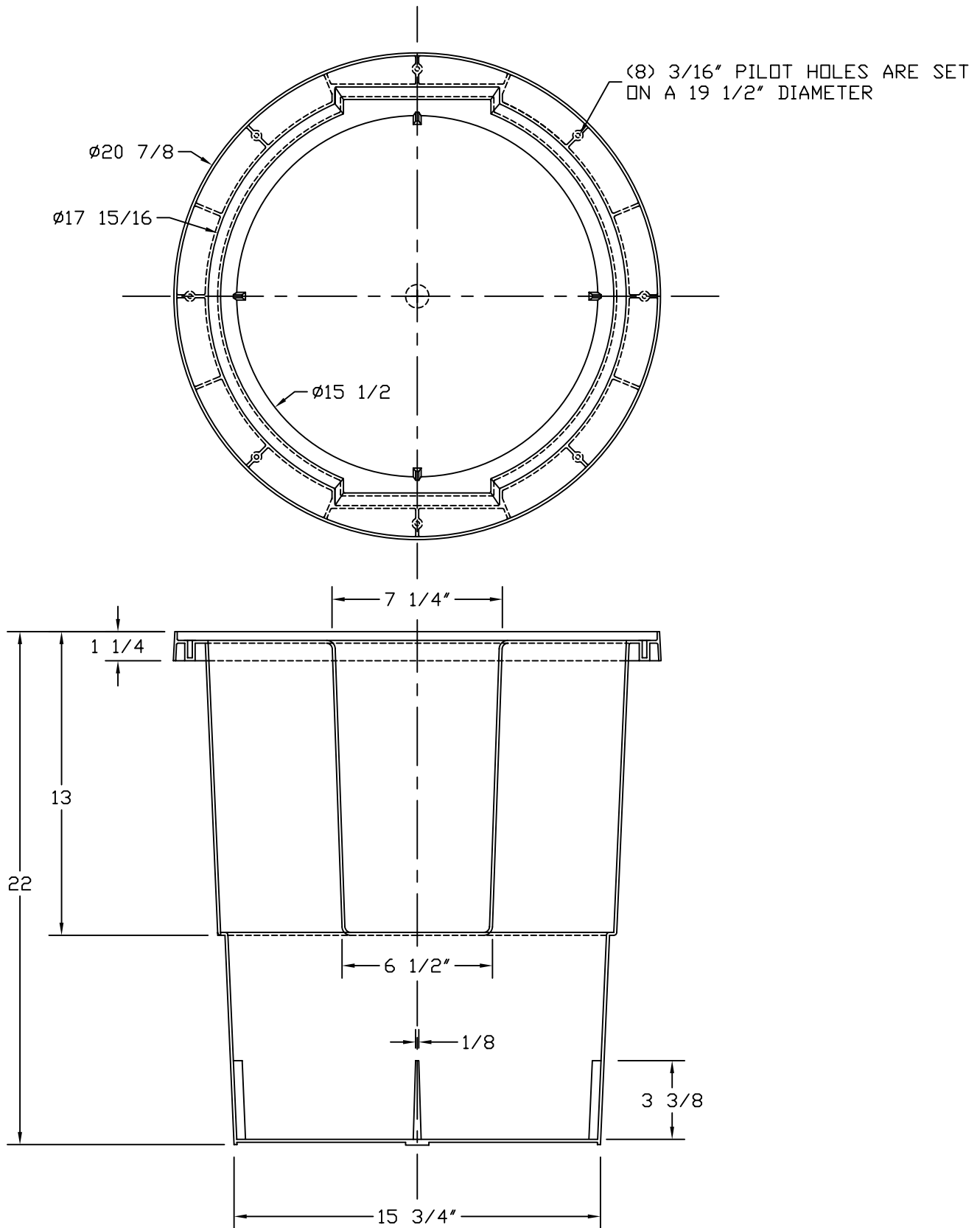
POLYPROPLENE BASIN 18X22

NOT TO SCALE

002

8/29/03

THIS DRAWING IS THE THE SOLE PROPERTY OF AK INDUSTRIES INC.



B.O.M
AKR50005 PRO 18X22



AK INDUSTRIES INC.
2055 PIDCO DR.
PLYMOUTH, IN. 46563
PHONE:(574) 936-6022

DRAWN BY:
M.O LIVAREZ

TOLERANCE:
 ± 0.0312 UNLESS SPECIFIED OTHERWISE

SIGNATURE: