

PART/PRINT #:
AKP10184

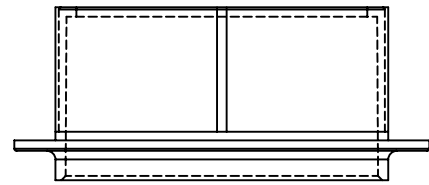
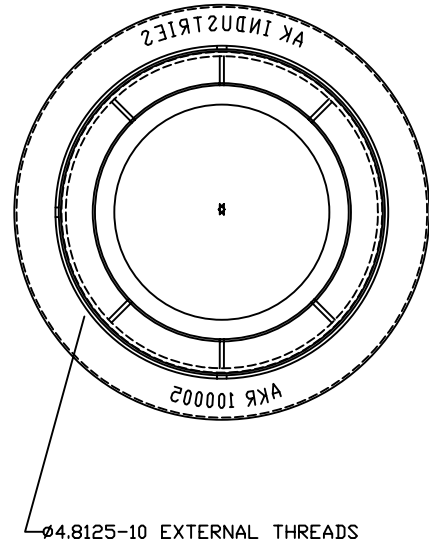
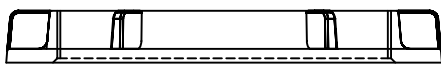
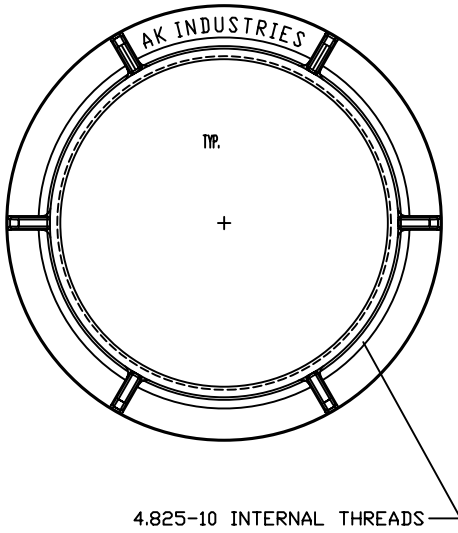
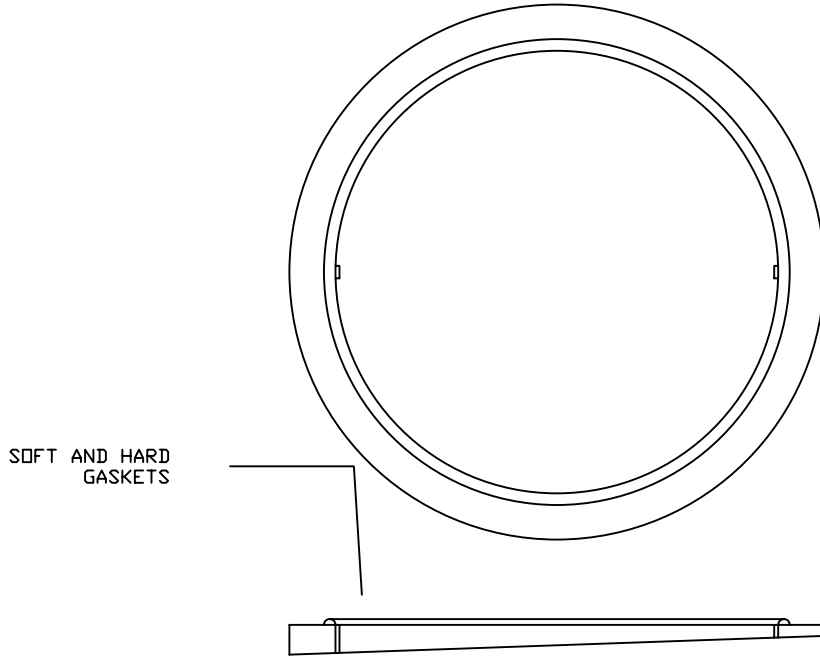
PART DESCRIPTION:
PVC HUB 3"

SCALE:
NOT TO SCALE

REVISION:
002

DATE:
1/23/03

THIS DRAWING IS THE SOLE PROPERTY OF AK INDUSTRIES INC.



FLANGE ACCEPTING 4" PIPE

- B.O.M
 AKR100010 (1) THREADED HUB
 AKR100015 (1) SOFT GASKET OUTER
 AKR100015-R (1) HARD GASKET INNER
 AKR100000 (1) THREADED NUT
 (1) PVC INLET HUB ASSEMBLY INTSRUCTION SHEET



AK INDUSTRIES INC.
 2055 PIDCO DR.
 PLYMOUTH, IN. 46563
 PHONE:(574) 936-6022

DRAWN BY:
M.O LIVAREZ

TOLERANCE:
± 0.0312 UNLESS SPECIFIED OTHERWISE

SIGNATURE: