

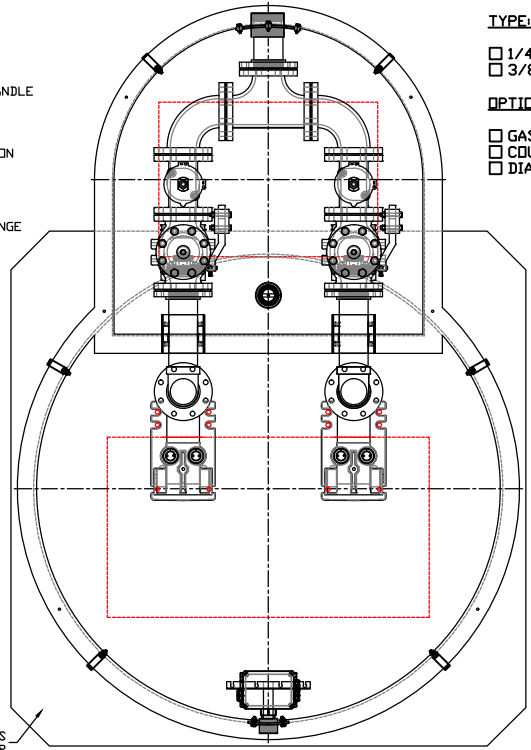
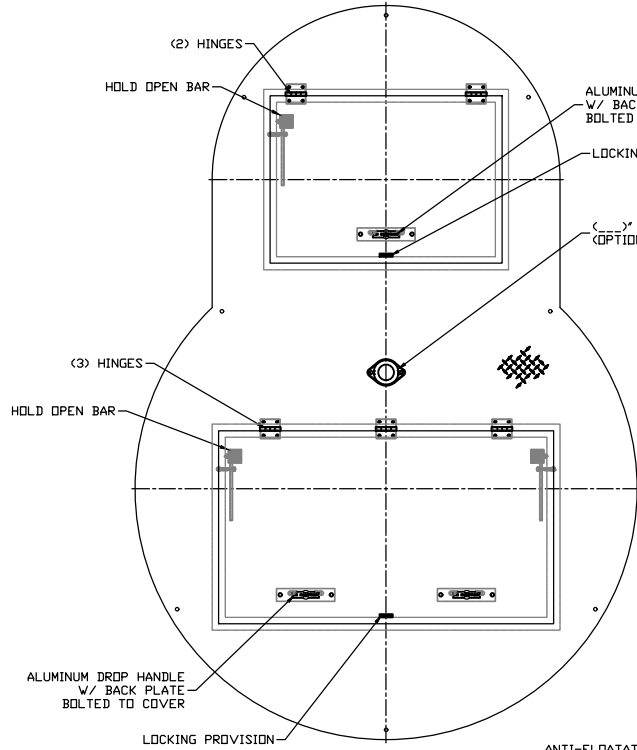
PART/PRINT NO.  
---

PART DESCRIPTION  
**3" - 4" DUPLEX VALVE BOX**

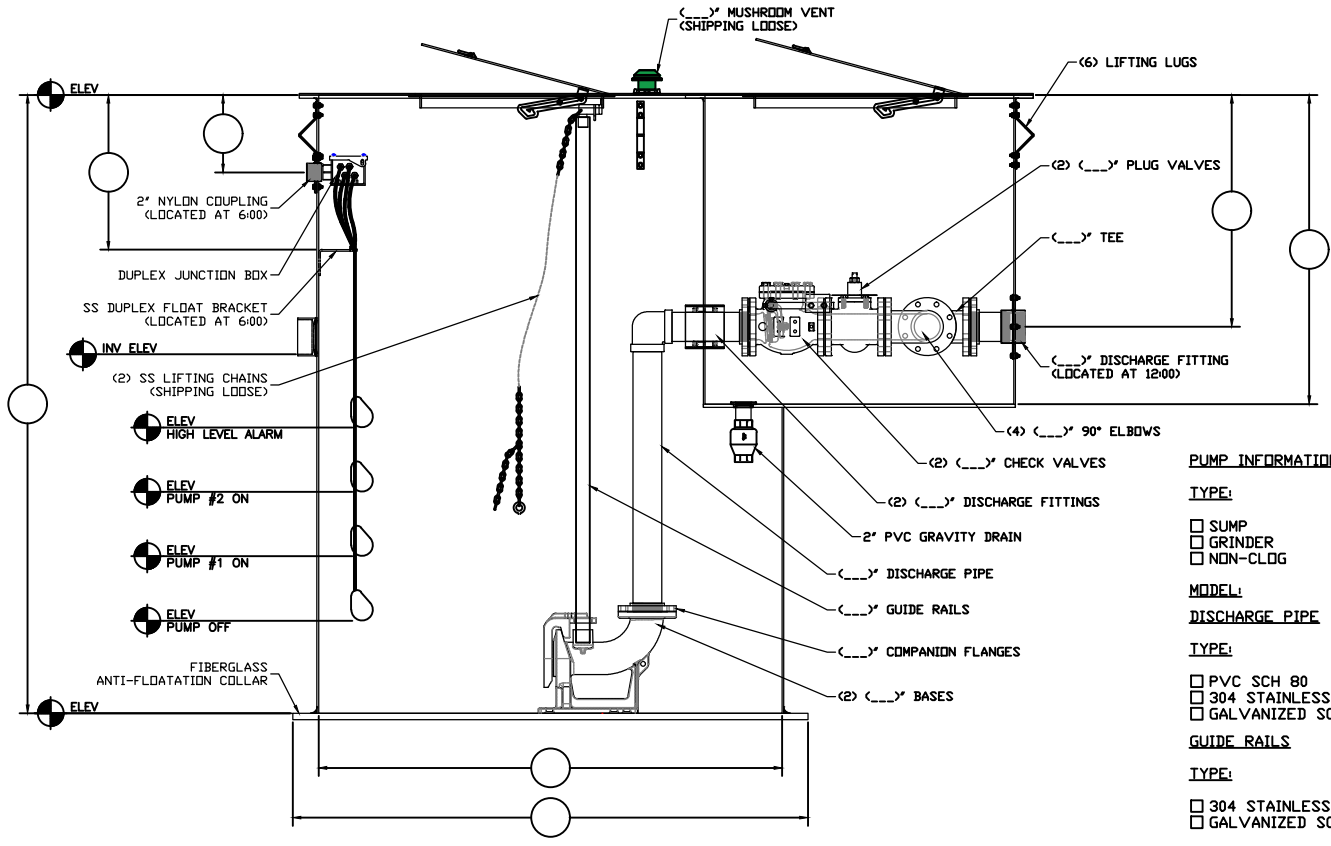
DATE  
**04/07/20**

**COVER SPECIFICATIONS**

- TYPE:**  
 1/4" ALUMINUM VDC  
 3/8" STEEL VDC
- OPTIONS:**  
 GAS TIGHT  
 COUNTERSUNK  
 DIAMOND TREAD PLATE



THIS DRAWING IS THE SOLE PROPERTY OF AK INDUSTRIES INC.



- PUMP INFORMATION**
- TYPE:**  
 SUMP  
 GRINDER  
 NON-CLOG
- MODEL:**  
**DISCHARGE PIPE**  
**TYPE:**  
 PVC SCH 80  
 304 STAINLESS STEEL  
 GALVANIZED SCH 40
- GUIDE RAILS**  
**TYPE:**  
 304 STAINLESS STEEL  
 GALVANIZED SCH 40

THIS DRAWING IS FOR SUBMITTAL ONLY



AK INDUSTRIES INC.  
 2055 PIDCO DR.  
 PLYMOUTH, IN. 46563  
 PHONE:(574) 936-6022

DRAWN BY:  
**A.HARTUNG**

SCALE:  
**1:1**

REVISION #:  
 ---

SIGNATURE: