

NOTE: ALL DIMENSIONS ARE IN INCHES.

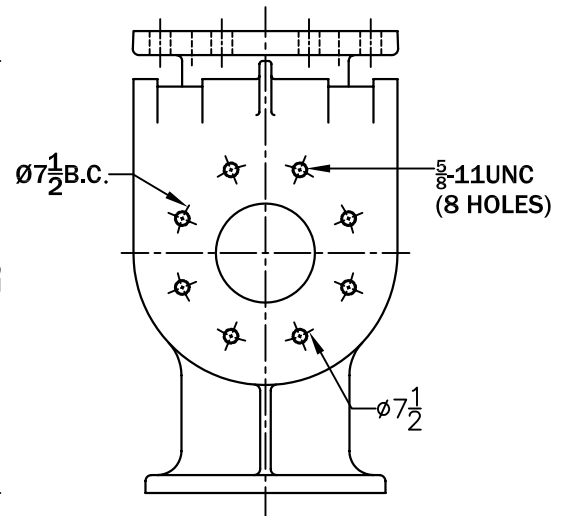
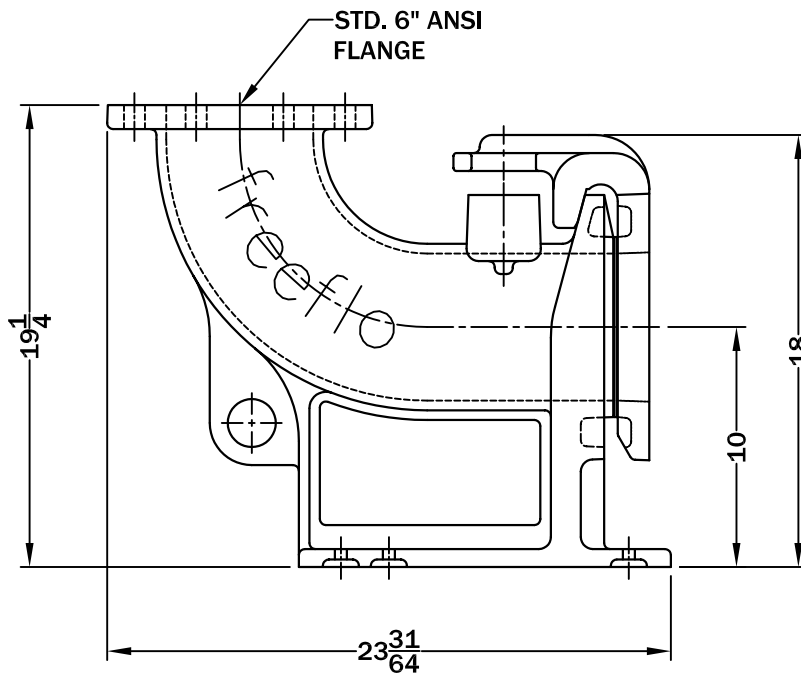
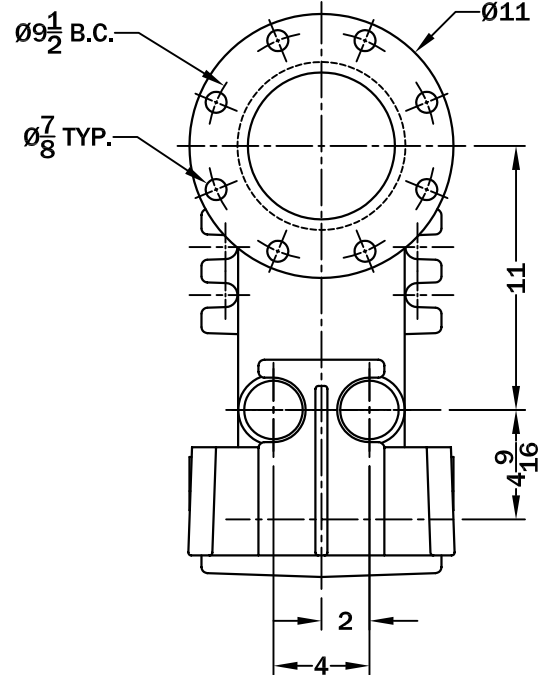
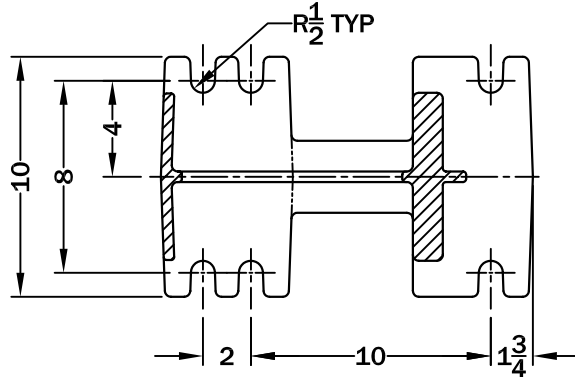
MATERIALS OF CONSTRUCTION:

- BASE ELBOW: CAST DUCTILE IRON
- LIFT-OUT FLANGE: CAST DUCTILE IRON
- W/SST SEALING RING
- LOWER GUIDE BRACKET: CAST DUCTILE IRON
- ALL FASTENERS ARE 304 SERIES SST
- USEABLE GUIDE RAIL SIZES: 2"
- SPHERICAL SOLIDS SIZE: 4" Diameter.
- MAXIMUM WEIGHT ALLOWANCE: 2000lbs.

BERS-0640

PAGE
1

MOUNTING DIMENSIONS



ALL INFORMATION CONTAINED IN THIS DRAWING IS CONFIDENTIAL AND PROPRIETARY TO CONERY MFG, INC.



CHANGES	TOLERANCES	DRAWN BY	DATE
F	DECIMALS .xxx = ±.005 .xx = ±.010 FRACTIONAL x/x = ±.1/64 ANGLES x° = ±1/2°	D. MIDDLETON	03/17/07
E		MATERIAL SPECIFICATION: AS NOTED	
D			
C			
B			
A			

SPECIFICATION SHEET
DIMENSIONAL DATA

SCALE: 1/8 PART NO. 6" LIFT-OUT DIM.