

NOTE: ALL DIMENSIONS ARE IN INCHES.

MATERIALS OF CONSTRUCTION:

BASE ELBOW: CAST DUCTILE IRON

LIFT-OUT FLANGE: CAST DUCTILE IRON

W/SST SEALING RING

LOWER GUIDE BRACKET: CAST DUCTILE IRON

ALL FASTENERS ARE 304 SERIES SST

USEABLE GUIDE RAIL SIZES: 2"

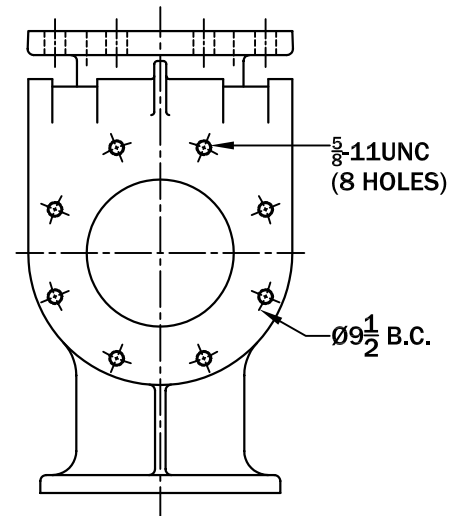
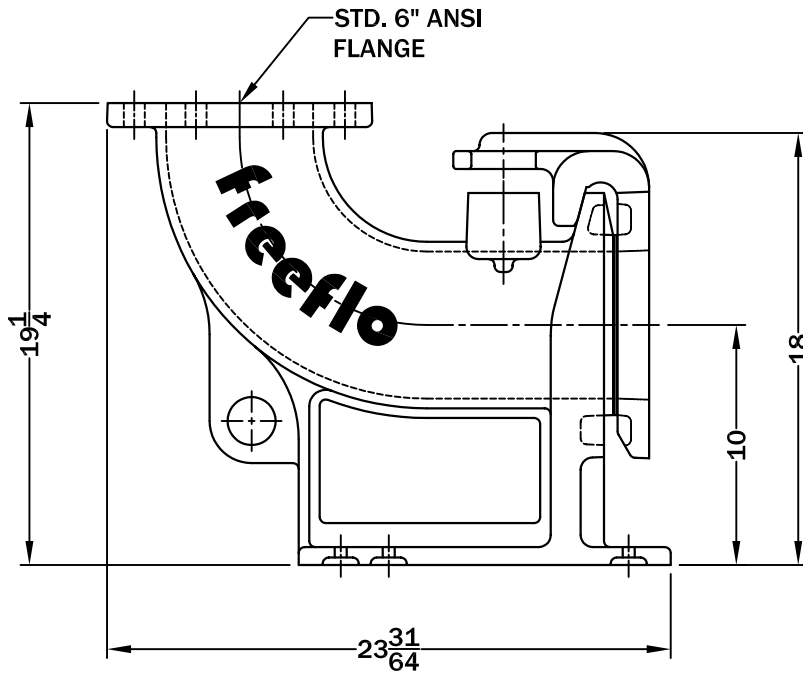
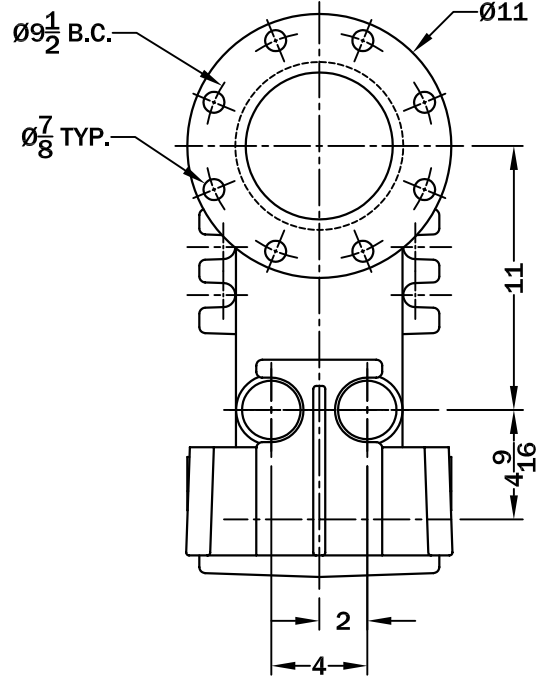
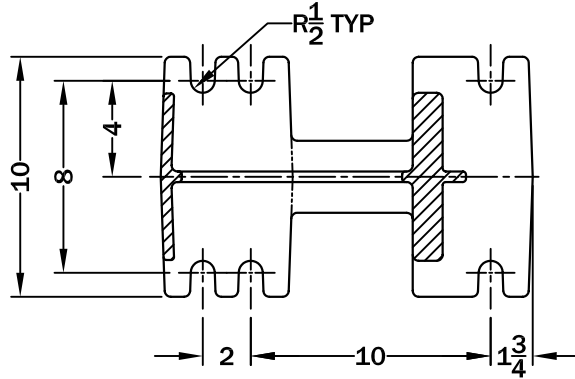
SPHERICAL SOLIDS SIZE: 6" Diameter.

MAXIMUM WEIGHT ALLOWANCE: 2000lbs.

BERS-0600

PAGE
1

MOUNTING DIMENSIONS



ALL INFORMATION CONTAINED IN THIS DRAWING IS CONFIDENTIAL AND PROPRIETARY TO CONERY MFG, INC.



CHANGES	TOLERANCES	DRAWN BY	DATE
F	DECIMALS	D. MIDDLETON	03/17/07
E	.xxx = ±.005	MATERIAL SPECIFICATION: AS NOTED	
D	.xx = ±.010		
C	FRACTIONAL		
B	x/x = ±.1/64		
A	ANGLES		
	x' = ±1/2'		

SPECIFICATION SHEET
DIMENSIONAL DATA

SCALE: 1/8 PART NO. 6" LIFT-OUT DIM.