

NOTE: ALL DIMENSIONS ARE IN INCHES.

MATERIALS OF CONSTRUCTION:

BASE ELBOW: CAST DUCTILE IRON

LIFT-OUT FLANGE: CAST DUCTILE IRON

W/SST SEALING RING

LOWER GUIDE BRACKET: CAST DUCTILE IRON

ALL FASTENERS ARE 304 SERIES SST

USEABLE GUIDE RAIL SIZES: 1 1/2" & 2"

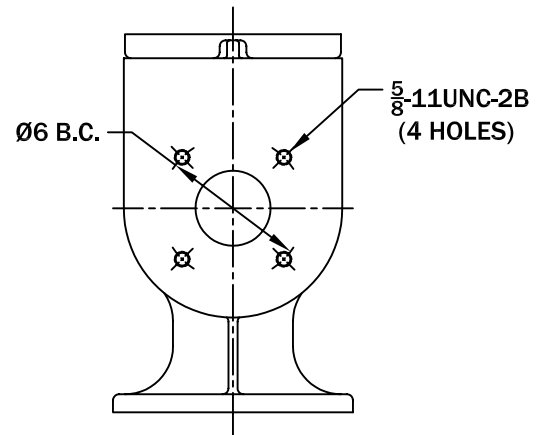
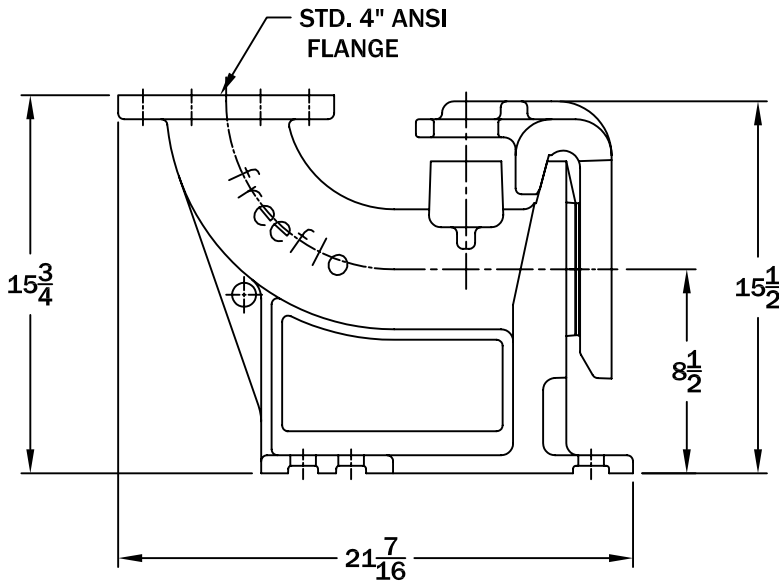
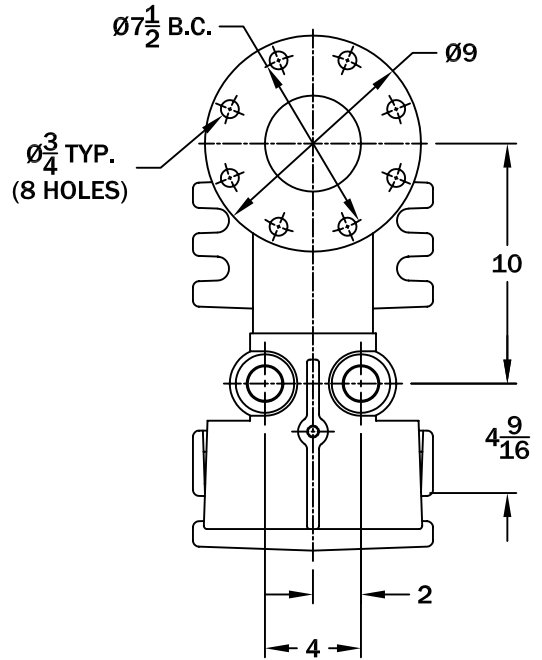
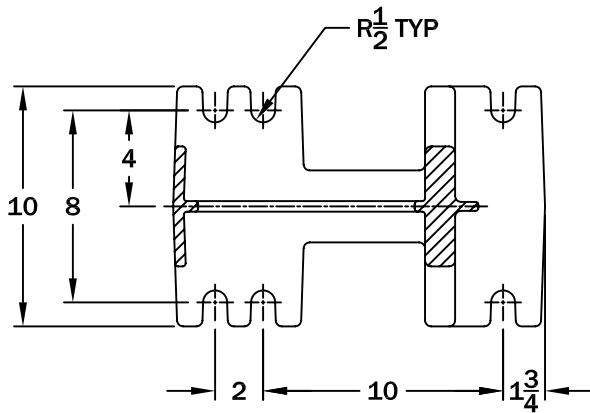
SPHERICAL SOLIDS SIZE: 3" Diameter.

MAXIMUM WEIGHT ALLOWANCE: 2000lbs.

BERS-0430

PAGE
1

MOUNTING DIMENSIONS



ALL INFORMATION CONTAINED IN THIS DRAWING IS CONFIDENTIAL AND PROPRIETARY TO CONERY MFG, INC.



CHANGES	TOLERANCES	DRAWN BY	DATE
F	DECIMALS .xxx = ±.005 .xx = ±.010 FRACTIONAL x/x = ±.1/64 ANGLES x' = ±1/2'	D. MIDDLETON	07/15/04
E		MATERIAL SPECIFICATION: AS NOTED	
D			
C			
B			
A			

SPECIFICATION SHEET
DIMENSIONAL DATA

SCALE: PART NO.
1/8 4" LIFT OUT DIM