



POLY SUMP & SEWAGE BASINS



“The Best Around Underground”



June 2002

Dear Customer,

We're pleased to present to you our latest catalog of products for the Poly Sump & Sewage Basins. As you'll see, we have many new items along with those that we've consistently supplied to the industry for many years. Please take special note of the new PolyPro line of basins! These are fast becoming the most popular basins at AK due to their structural integrity and ease of installation.

When my brother John and I started AK Industries nearly 20 years ago, we knew that we must do several things in order to succeed. First, a top quality line of products would need to be provided to the industry with consistent engineering and production detail. Another characteristic of AK would need to be our dedicated efforts to provide reliable customer service year after year. And, finally, our product line would need to be the best "value" in the industry.

If you are a current AK customer, we thank you for your loyal support. It's only due to YOU that we've succeeded and grown over the years. We sincerely appreciate your confidence and support!

If you've never tried AK products, we urge you to give us the opportunity to show you our quality, breadth of line and our total dedication to superb customer service. Whether you need any of our standard production items or different features for special applications, simply contact one of our sales representatives, distributors or factory customer service representatives for assistance.

We realize that our next 20 years of successful business will depend on our continued commitment to product quality, new product development, value pricing and service to you. Let us prove that we're the "best around underground!" Thanks again for your support.

Sincerely,

Butch Sabo

Contents

Roll Top Poly Basins	4
Poly Pro Sewage Basins.....	5
Tapered Corrugated Basins	6
Side Vent Ejector Basins	7
Covers & Accessories	8 & 9
Adaptaflex™ Fittings.....	10
Poly Basin Extensions	11
Check Valves	12
Water Box.....	13
Sink Tray	14
Pump Jon.....	15
Triple Garage System.....	16
Radon Prevention System	17
Ribbed Poly Basins	18
Liquid Level Alarms	19 & 20
Float Switches	21
Proper Installations	22
Commitment To Quality	23

©2002 A.K. Industries, Inc.

All Rights Reserved

Printed In USA 06/02

Ph. 574-936-6022 Fax: 800-936-5811

www.akindustries.com



AK INDUSTRIES, INC., P.O. BOX 640 PLYMOUTH, INDIANA 46603-1210-REV 06/02

For nearly 20 years we have worked diligently to create a line of products that meet the needs of our customers. Paramount in this effort has been the protection of our environment by the proper handling of waste through innovative technology and systems design. The new millennium will present new challenges that we stand ready to accept.

Look confidently to AK for solutions!



ROLL TOP POLY BASIN

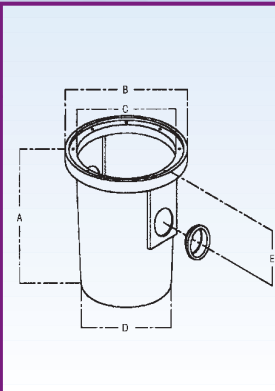


- Non-Corrosive Polyethylene Construction
- 8 - 1/4"-20 Encapsulated Inserts
- Accepts Solid or Split Covers
- Allows for Maximum Cover Rotation
- Accepts - 4" Adaptaflex Fittings
- 4" Cast Iron Hubs or
- Inside Hub Inlet Fittings
- PVC Inlet Fitting
- For Use in Sump or Sewage Applications
- Full One Year Warranty



AK's unique molded insert design allows for tight cover fits while also protecting screws from concrete and corrosion!

Sizes Available	Capacity	Weight	Wall Thickness	Dimensions				
				A	B	C	D	E
18" x 22"	22 Gal	10 lbs.	0.125"	24.5"	22.5"	17"	14.5"	11.0"
18" x 30"	30 Gal	17 lbs.	0.250"	32.8"	22.5"	18.3"	17"	13.5"
24" x 24"	48 Gal	22 lbs.	0.250"	25.5"	30.5"	24"	22.5"	13.5"
24" x 30"	59 Gal	24 lbs.	0.250"	33"	30.5"	24"	22"	13.5"
24" x 36"	71 Gal	26 lbs.	0.250"	39"	30.6"	24"	23"	13.5"
30" x 36"	110 Gal	35 lbs.	0.3125"	38.5"	36.5"	29"	28"	13.5"
36" x 36"	159 Gal	45 lbs.	0.3125"	38.5"	42.8"	36"	34"	13.5"

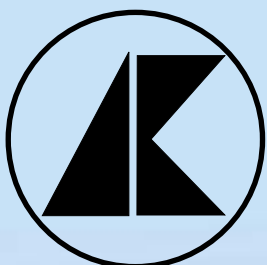


Available with dozens of cover configurations! See Cover Guide on pages 8 & 9.

AK SUMP & SEWAGE BASINS POLY PRO SERIES



- Reinforced Recessed Flange
- 8 Corrosion Resistant, Molded, Self-Tapping Inserts
- Molded Inserts Protect Screws from Concrete
- Optional Plate with Pump Locating Pockets
- Accepts 3" and 4" Adaptaflex Grommet, PVC Inlet Fittings or 4" Cast Iron Hub



**POLY PRO THE ONLY
WAY TO GO!**



TAPERED CORRUGATED BASIN

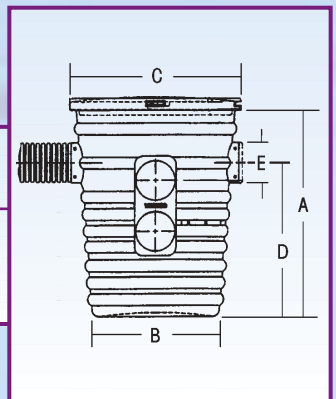


- Non-Corrosive Polyethylene Construction
- Accepts Solid or Slotted Covers
- Allows for Cover Rotation
- Accepts - 4" Corrugated Pipe
- For Use in Sump Applications
- Full One Year Warranty



Includes slotted cover.

Part Number	Sizes Available		Capacity	Weight	Wall Thickness	Dimensions				
						A	B	C	D	E
AKP20000	18" x 24"	14 Gal	7 lbs.	0.188"	24"	15"	20"	18"	4.75"	
AKP60140	18"	(Cover Only)	-	-	-	-	-	-	-	

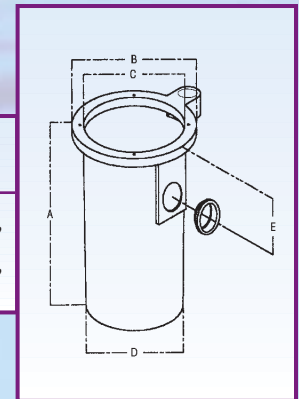


SIDE VENT EJECTOR BASINS



- Non-Corrosive Polyethylene Construction
- 4 - 1/4"-20 Encapsulated Molded Inserts (18 x 30)
- 10 - 1/4"-20 Encapsulated Molded Inserts (22 x 32)
- Accepts Solid Covers
- Accepts - 4" Adaptaflex Fittings
- 4" Cast Iron Hubs or
- Inside Hub Inlet Fittings
- PVC Inlet Fitting
- Designed Especially for Sewage Applications
- 2" or 3" Side Fitting Allows Vent to Remain Connected Whenever Cover is Removed
- Full One Year Warranty

Sizes Available	Capacity	Weight	Wall Thickness	Dimensions				
				A	B	C	D	E
18" x 30"	30 Gal	17 lbs.	0.188"	32.5"	22"	17.5"	16.5"	10.5"
22" x 32"	49 Gal	24 lbs.	0.188"	32.5"	26"	22"	21.5"	10.5"

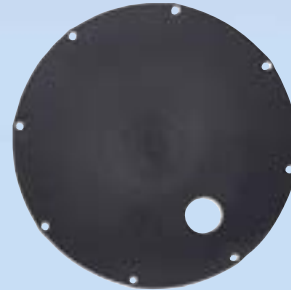


Available with dozens of cover configurations! See Cover Guide on page 8 & 9.

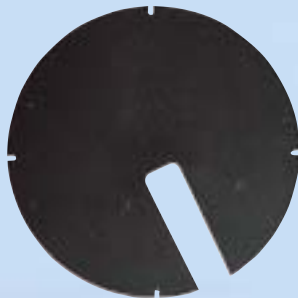
BASIN COVERS & SUMP BASIN COVERS



Slotted Plastic Dome
Fits 18" x 24" Corrugated Only



18" 1-Hole Structural Foam



18" Slotted
Structural Foam



Structural Foam Cover
Fits 14" x 24" Basin Only

AK offers an extensive line of basin covers and accessories just right for your particular installation. Covers are available in Painted Steel, Structural Foam and Plastic Domes for simplex applications. In response to the demand for radon sealed systems, there are several covers especially designed for radon applications that come complete with seal gaskets and bolts.

HUBS



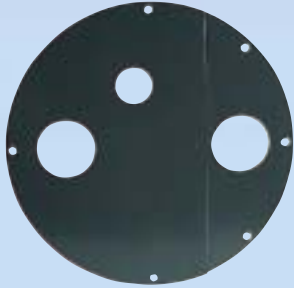
GASKET PACKS



DISCHARGE FLANGES

ACCESSORIES

SEWAGE BASIN COVERS



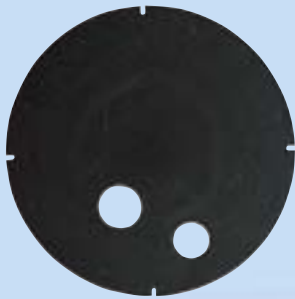
18" Split Steel with Vent & Discharge Adaptaflex



18" Structural Foam with Vent & Discharge Flanged



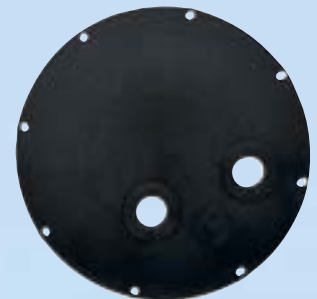
18"/24" Steel with Vent & Discharge Adaptaflex



18" Structural Foam Side Vent
(24" Side Vent Cover is Steel)



Solid Plastic Dome (24" Only)
(Optional Vent & Discharge)

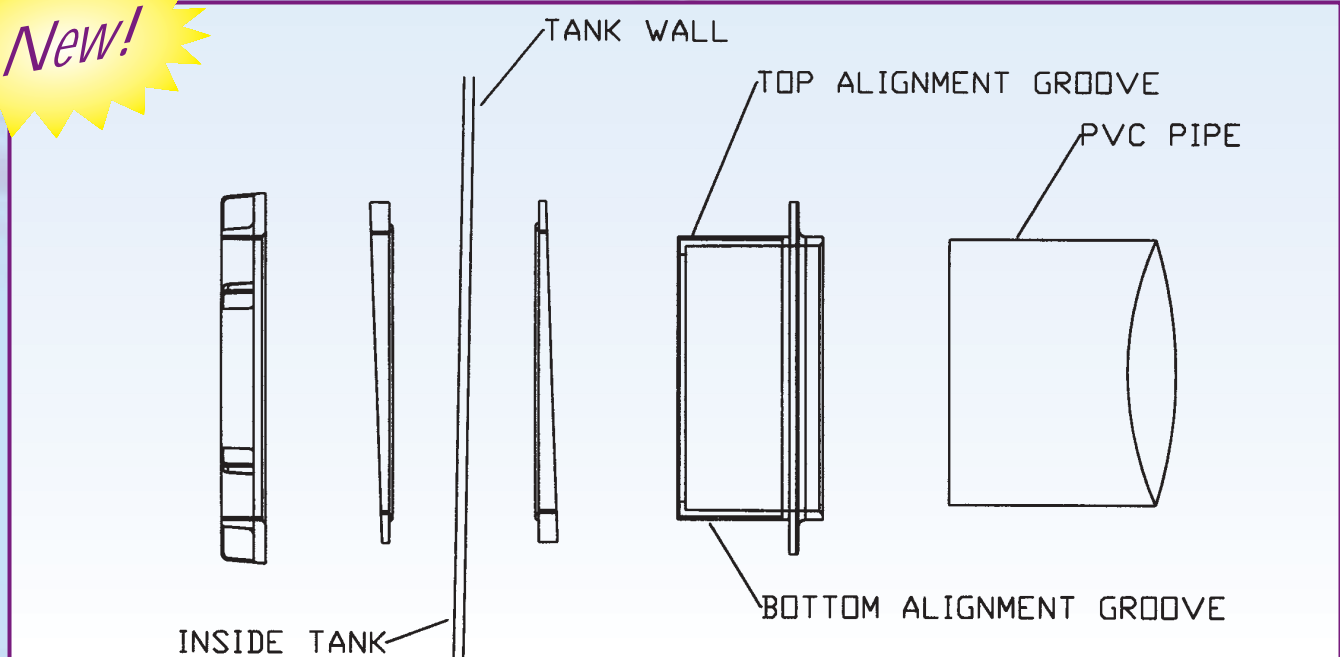


18" Structural Foam with Vent & Discharge Adaptaflex

3" or 4" PVC Inlet Hub



New!

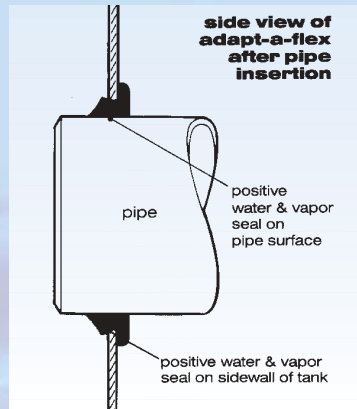
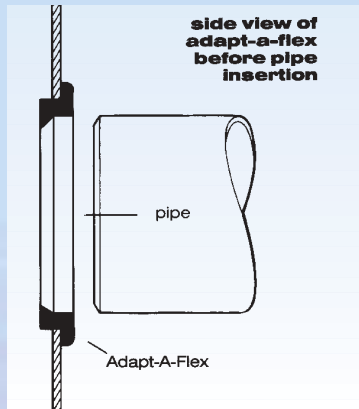


ADAPTAFLEX® FITTINGS



Instantly provides a water and vapor seal on either curved or flat surfaces!

- Ease of Installation -- No Tools Required
- Weather and Corrosion Resistant
- No Bolts or Gaskets Required
- Requires No Sealants
- Durable PVC Composition
- Available in 3/8" through 6" sizes



- Works with Steel Pipe, Schedule 35 and 40 Plastic Pipe

Number		A	B	C	Hole D	Saw Size
AKP10000	3/8"	.068	.200	.045	1.050	1"
AKP10010	1/2"	.086	.240	.630	1.310	1-1/4"
AKP10020	3/4"	1.040	.240	.820	1.310	1-1/4"
AKP10030	1"	1.300	.220	1.050	1.780	1-3/4"
AKP10035	1-1/4"	1.630	.230	1.350	2.070	2"
AKP10050	1-1/2"	1.870	.230	1.560	2.540	2-1/2"
AKP10040	1-1/4"0	1.630	.230	1.350	3.050	3"
AKP10060	1-1/2"0	1.870	.230	1.560	3.050	3"
AKP10070	2"	2.300	.250	2.000	3.050	3"
AKP10080	3"	3.450	.250	3.100	4.010	4"
AKP10100	4" SDR 35	4.270	.250	3.800	5.025	5"
AKP10101*	4" SDR 35	4.270	.250	3.800	5.025	5"
AKP10110	4"	4.450	.250	4.120	5.060	5"
AKP10111*	4"	4.450	.250	4.120	5.060	5"
AKP10120	6" SDR 35	6.200	.250	5.850	7.205	7"
AKP10130	6"	6.450	.250	6.125	7.060	7"



Adapt-A-Flex



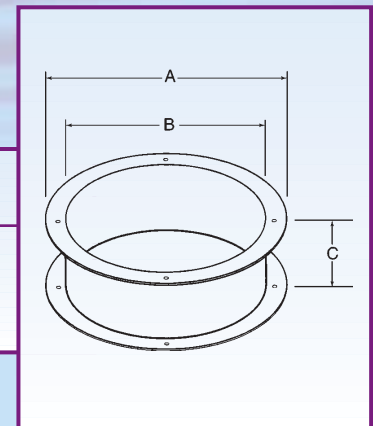
* Adapt-A-Flex

POLY BASIN EXTENSIONS



- Non-Corrosive Polyethylene Construction
- Available in 6" and 12" lengths
- Pre-Drilled Holes for Ease of Installation
- Bolts on to Basins in Minutes
- Includes 4 - 1/4"-20 Bolts, Inserts and Foam Gasket
- Accepts all 18" Covers
- Great for Changing Inlet Depths, due to Grade Adjustments

Part Number	Sizes Available	Wall Weight	Dimensions Thickness	Dimensions		
				A	B	C
AKP10270	18" x 6"	5 lbs.	.188"	20.5"	18.0"	6.0"
AKP10260	18" x 12"	8 lbs.	.188"	20.5"	18.0"	12.0"



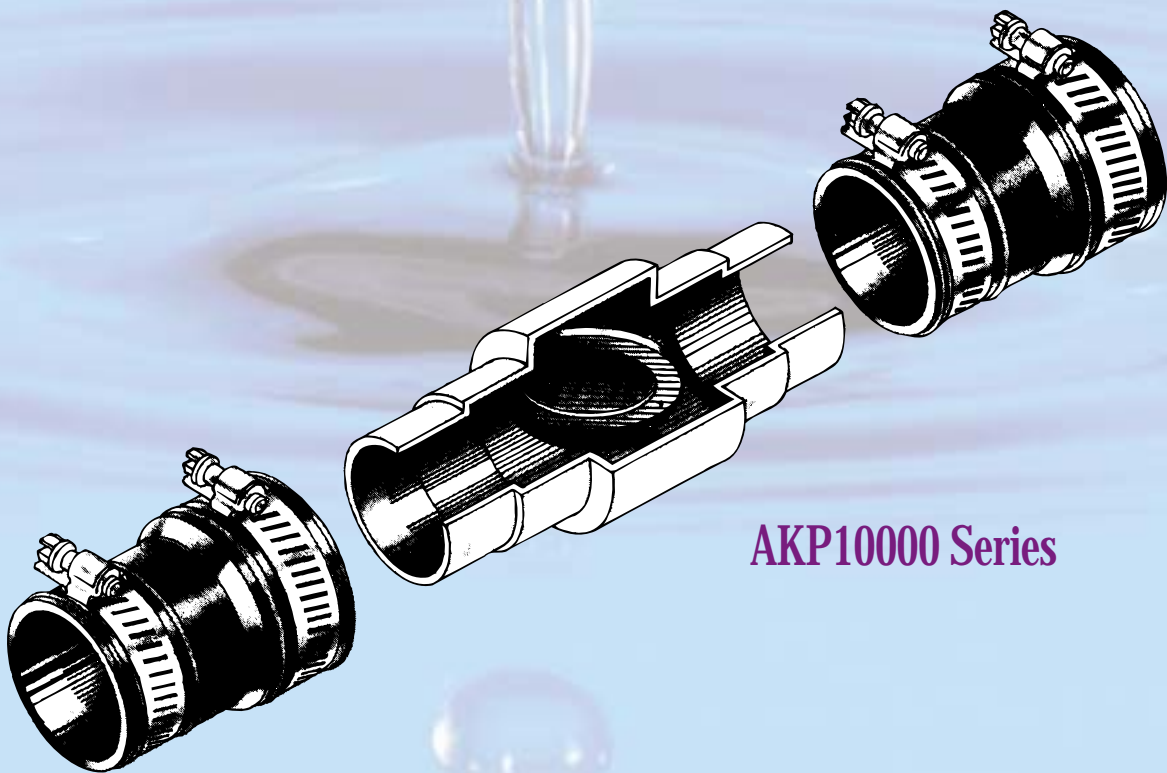
CHECK VALVES

2" Only



1 1/4 & 1 1/2" Combo

- Installs in Minutes
- Corrosion Resistant ABS body
- Buna-N Flapper Valve
- Rubber Sleeves
- Stainless Steel Clamps
- Full Flow Opening
- Pressure Tested and Guaranteed against Leakage when Properly Installed
- Available in 1-1/4", 1-1/2" and 2"
- Works with Galvanized Steel and Schedule 40 Plastic Piping



AKP10000 Series

Note: See price list for available sizes and order numbers.

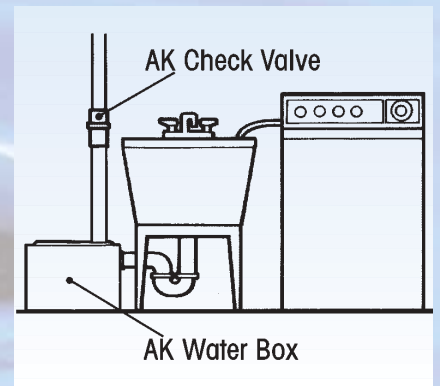
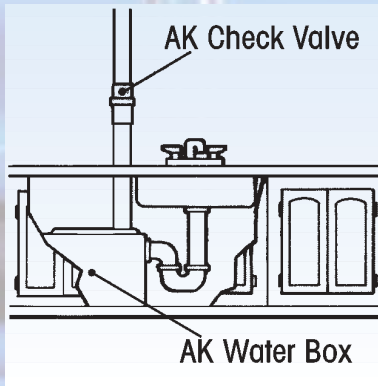
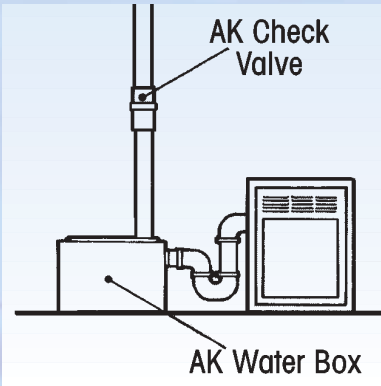
THE WATER BOX



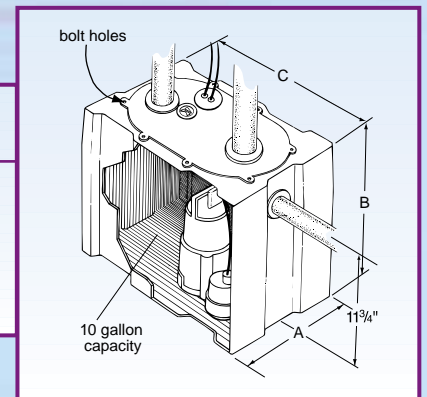
Instantly and Economically Solves Water Handling for Laundry Tubs, Washing Machines, Wet Bars, Dehumidifiers and Other Storage and Pumping Applications.

- Rotatorially Molded with no Seams
- Corrosion Resistant Polyethylene
- Includes Bolt Down Cover and 1-1/2" Inlet
- 8 - 1/4"-20 Encapsulated Molded Inserts
- Accepts most 1-1/4" and 1-1/2" Sump Pumps
- Installs in Minutes

Typical Installations



Part Number	Sizes		Capacity	Weight	Wall Thickness	Dimensions		
	Inlet	Outlet				A	B	C
AKP50670	1.50"	1.25"	10 Gal	8 lbs.	0.125"	11"	14"	17"
AKP50680	1.50"	1.50"	10 Gal	8 lbs.	0.125"	11"	14"	17"
AKP50690	1.50"	1.25/1.50"	10 Gal	8 lbs.	0.125"	11"	14"	17"
AKP50700	2.00"	1.50"	10 Gal	8 lbs.	0.125"	11"	14"	17"



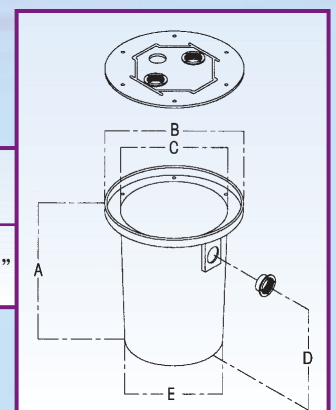
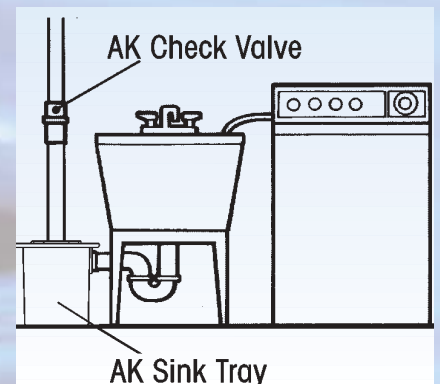
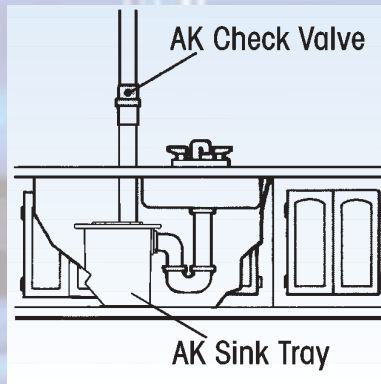
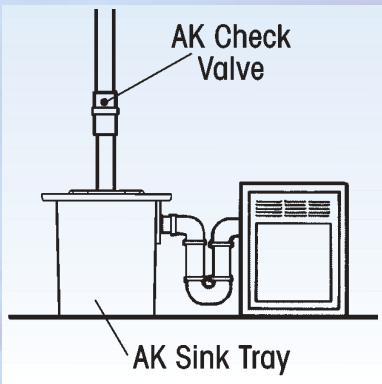
THE SINK TRAY



As Convenient as the Water Box, the Sink Tray Instantly and Economically Solves Water Handling for Laundry Tubs, Washing Machines, Wet Bars, Dehumidifiers and Other Waste Storage and Pumping Applications.

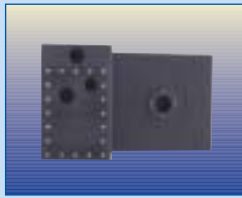
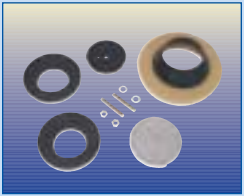
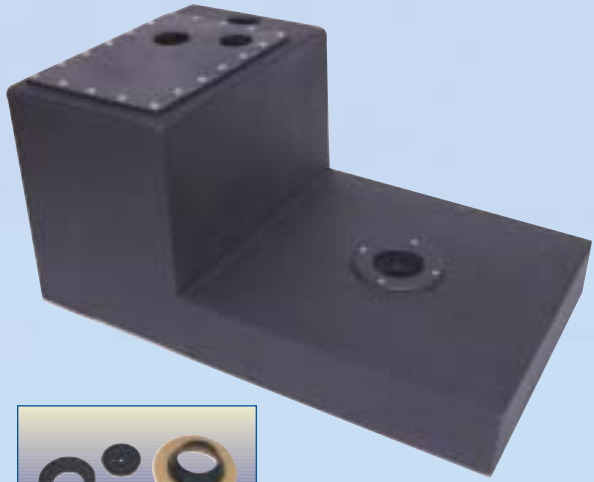
- Rotationally Molded with No Seams
- Corrosion Resistant Polyethylene
- Includes Bolt Down Cover and 1-1/2" Inlet
- Accepts most 1-1/4" and 1-1/2" Sump Pumps
- Installs in Minutes

Typical Installations



Part Number	Sizes Available	Capacity	Weight	Wall Thickness	Dimensions				
					A	B	C	D	E
AKP50630	13" X 16"	4 Gal	8lbs.	.188"	15.5"	16.4"	12.8"	12.5"	11.8"

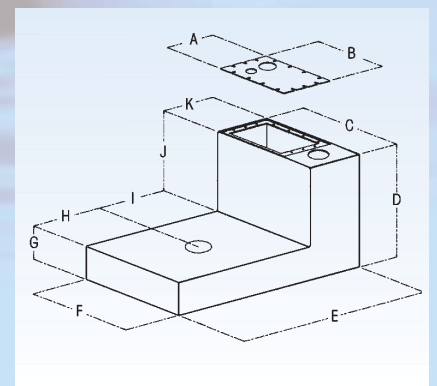
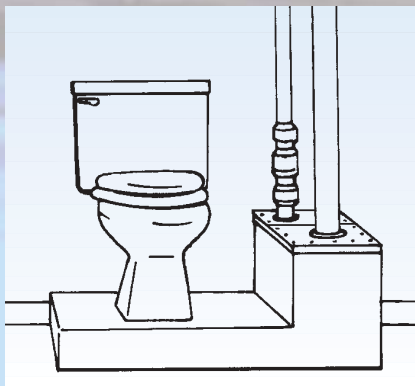
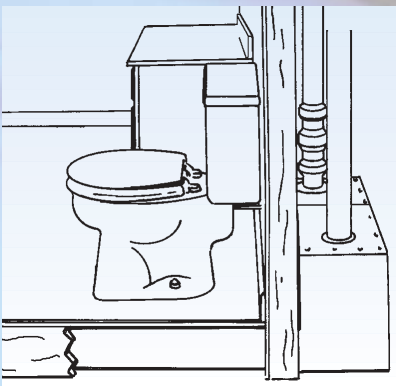
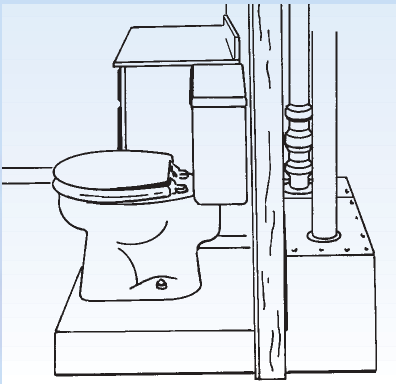
PUMP JON



Put a Bathroom Anywhere!
 With AK's New Pump Jon System, You can Install a Toilet in Basements, Workshops, Cabins, etc. without having to Tear Up Concrete Floors and Install Underground Soil Lines. It can be a Built-In or a Free-Standing System.

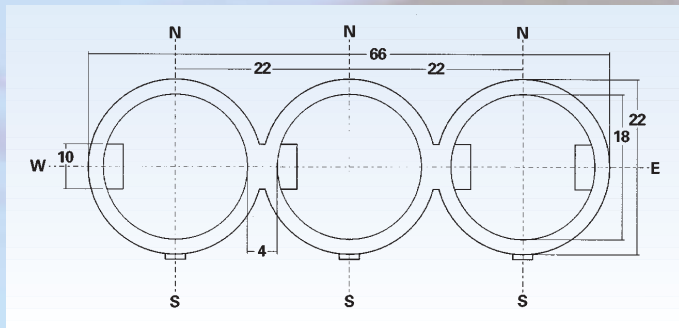
- Made of Heavy Duty Polyethylene
- Includes Bolt Down Lid for Easy Access
- Pre-Drilled Holes for Toilet, Discharge and Vent
- Accepts Waste Water from Toilet, Sinks, Raised Tubs, and Shower Stalls.
- Accepts most Residential Sewage Pumps
- Includes Gaskets and Fittings
- Available in 2" or 3" Vent & Discharge

Typical Installations



Part Number	Pump Cycle Capacity	Weight	Wall Thickness	Dimensions										
				A	B	C	D	E	F	G	H	I	J	K
AKP50620	8 Gal	45 lbs.	0.150"	11.5"	16"	23.5"	20.5"	41"	24.5"	5.5"	12.44"	14.8"	15"	13.5"

TRIPLE GARAGE SYSTEM



The Triple Garage System Provides Superior Separation of Oil, Gas and other Volatile Liquids Garages, Cleaning Plants and Other Places Where Volatile Gases can Develop and Cause Potentially Explosive Situations. Fumes are Passed into the Air by Vents while allowing Fluids to Pass Safely Through.

- Non-Corrosive Polyethylene Construction
- Completely Assembled and Ready for Installation
- 4" Inlet/Outlet
- 2" Vent Fitting on Each Tank
- Sealed Baffles in Each Tank
- Includes Gas-Tight Steel Covers
- Available in "North or South" Vent Configurations

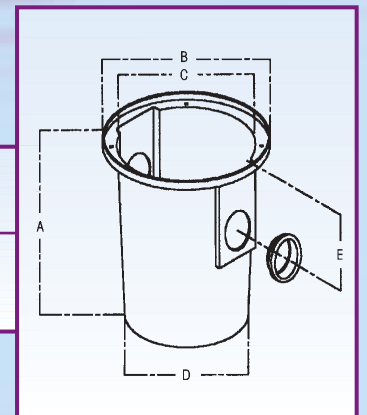
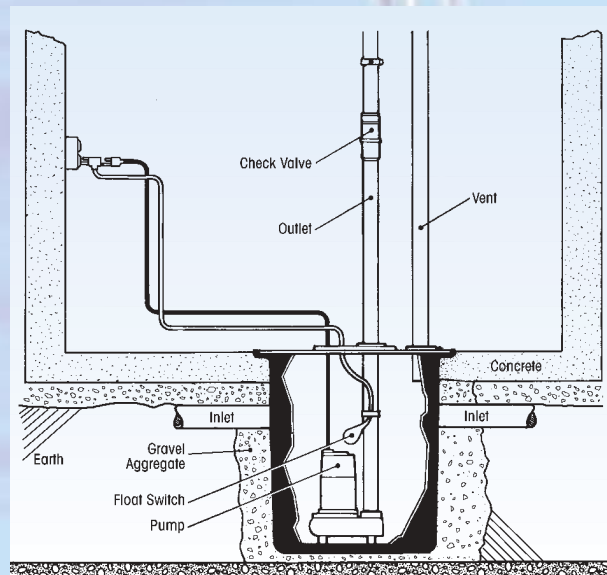
Part Number	Orientation	Tank Size Each	Capacity	Wall Thickness	Unit Overall Dimensions
AKP50650	North	18" x 36"	100 Gal	0.250"	66"L x 22"W x 37"H
AKP50660	South	18" x 36"	100 Gal	0.250"	66"L x 22"W x 37"H

RADON PREVENTION SYSTEM



Radon Penetration is a Potentially Serious Problem in many Homes and Buildings Throughout the Country. AK's Radon Prevention System is Designed to Form a Gas-Tight, Sealed Unit that Resists Radon Leakage and Safely Vents it to the Outdoors.

- Corrosion-Resistant Polyethylene Basin
- Accepts Steel or Plastic Cover with Fittings, Seals and Foam Gasket



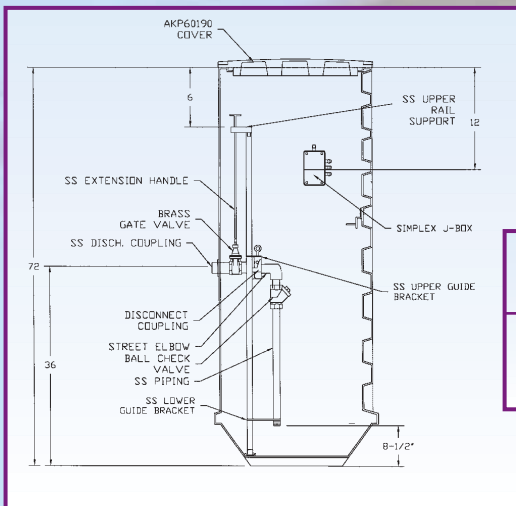
Part Number	Sizes		Capacity	Weight	Wall Thickness	Dimensions				
	Available					A	B	C	D	E
Varies (see price list)	18" x 22"		22 Gal	8 lbs.	0.188"	23"	22.5"	17	14.5	9

24" RIBBED POLY BASIN



Available Alone or with a Complete Rail System, this Poly Tank is the Strongest Design Available. Deep Cut Ribbs give it Amazing Strength and Includes:

- Non-Corrosive Polyethylene Basin
- Strong, Seamless Construction
- Depths from 48" to 84"
- Packaged Pump Station Option Includes:
 - Stainless Steel Guiderails
 - Stainless Steel Discharge Piping
 - Polyethylene Cover
 - AK Pump Removal System
 - Pump Lifting Chain
 - Accepts most 1-1/4" to 2" Discharge Pumps



Part Number	Dimensions			
	A	B	C	D
AKP20000+ (Tanks Only)	36"	27.5"	24.3"	48, 60, 72", 84"
AKP20050+ (Packages)	36"	27.5"	24.3"	48, 60, 72", 84"

See price list for available sizes and order numbers

LIQUID LEVEL ALARM



(Indoor/Outdoor Use)

- Large Visible Red Alarm Beacon
- External Mounting Tabs
- High Decibel Alarm
- 6' Heavy Duty 3-Wire Power Cord
 - Grounded Molded Plug
 - 2-3/8" Liquid Tight Cord Connectors
 - N/O Float Switch with 15' Cord
- Separate Test & Silence Buttons
- 6^{3/8}" x 4^{3/8}" x 3" Non-Metallic Type 3R Enclosure
- Installs In Minutes
- One Year Limited Warranty

Part Number	Enclosure Type	Input Power	Power to Sump	Standard Float Switch	Approx Ship Wt.
AKP10150	3R	120 VAC	120 VAC	N/O - 15' Mercury	2 lbs.

LIQUID LEVEL ALARM



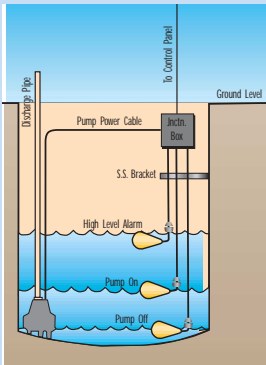
(Indoor Use Only)

- 120 VAC Primary
- 18 VAC, Low Volt Class 2, Output for Float Switch Hook Up
- Quick Connect Tabs for Easy Float Installation
- High Decibel Alarm
 - Green Power Indicator Light
 - Red Alarm Indicator Light
 - Silence/Alarm Switch
- Test Button
- External Mounting Tab for Easy Installation
- 6' Power Supply Cord
- Grounded Molded Plug
- N/O Float Switch with 15' Cord
- 6" x 4" x 2¹/₂" Heavy Gage Steel Enclosure
- Installs in Minutes
- One Year Limited Warranty

Part Number	Enclosure Type	Input Power	Power to Sump	Mini Float Switch	Approx Ship Wt.
AKP10140	Steel, Indoor Use	120 VAC	18 VAC	N/O - 15' Mercury	2 lbs.

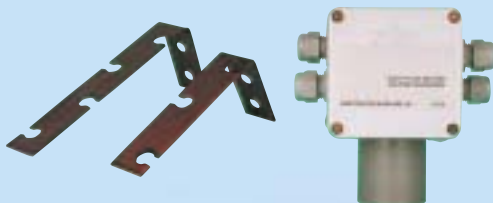
FLOAT SWITCHES

Mercury Control Panel Float Switches



- Solid Polyurethane Construction
- Leak Proof, Corrosion & Crack Resistant Closed Cell Foam
- Flexible SJ00W 18/2 CPE Wire (Oil Resistant)
- Blunt Cut End with 10' Standard Length
- Available with Standard (4³/₄" x 3¹/₂") or Mini (3³/₈" x 2¹/₂") Bulbs
- Rated 10 Amps @ 120 VAC
- Narrow Angle, Hermetically Sealed. Stainless Steel Switch
- Mercury-to-Mercury contacts (Only 0.86 Grams)
- Available with or without External Cord Weight
- Additional Cord Lengths Available (see price list)
- Maximum Temperature Rating of 170°F
- 10° Operating Range • Limited 3-Year Warranty

Mechanical Pump Float Switches



- High Impact ABS Construction
 - Ultrasonically Welded Seal - Epoxy Potted Switch & Cord
- Flexible SJOW 16/2 Wire - Piggyback Plug - 10' Standard
- Rated 13 Amps at 120/240 VAC - 58.8 Amp Overload
- Rated for 1/2 HP Pump at 120 VAC - 1 HP Pump at 240 VAC
- Rated for 1 HP Pump at 120 VAC - 2 HP Pump at 240 VAC
- Available Upon Request
- 90° Operating Wide Angle Switch
- Available With or Without External Cord Weight
- Additional Cord Lengths Available(see price list)
- Maximum Temperature Rating of 190° F.
- Limited 3-Year Warranty

See price list for part numbers.

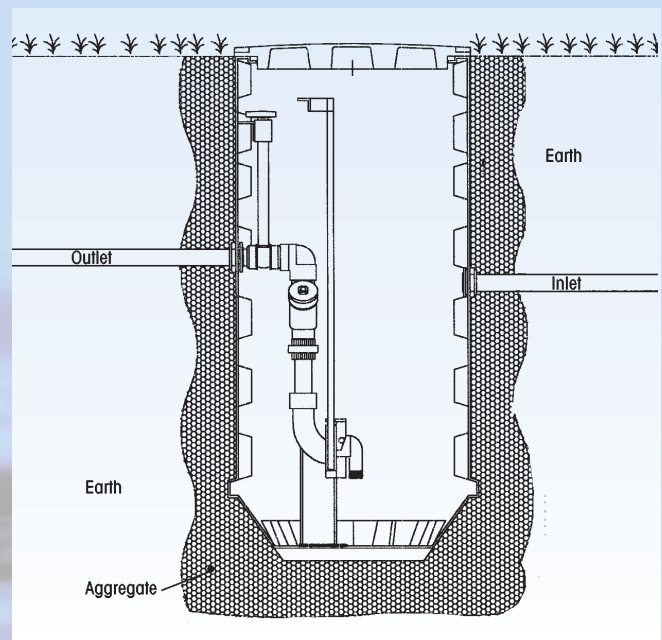
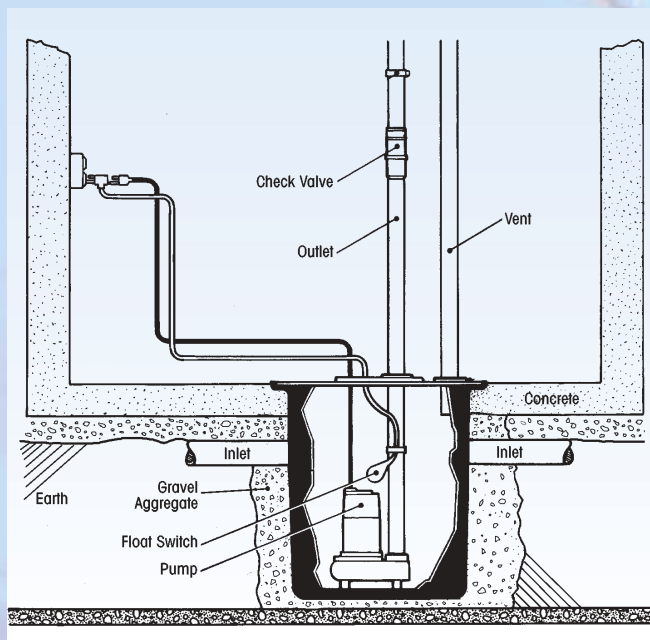
PROPER INSTALLATIONS

Proper installation of any type of equipment is critical to dependable operation and long, trouble-free life. Although you may be very experienced with the installation of basins and related products, please look over the following general instructions, typical installation illustrations as well as the hints and tips for proper installations.

General Installation Guidelines

1. Inspect all materials and components to be certain nothing was damaged in transit.
2. Excavate a hole large enough for the basin and at least 4" - 6" of clean aggregate.
3. Prepare the bottom of the hole with 6" of clean aggregate or a level concrete pad.
4. Install the basin in the hole making certain it is level and meets grade requirements.
5. Connect any underground piping required then carefully backfill with naturally rounded aggregate.
6. Install pump and above ground piping being careful to follow pump manufacturer's instructions.
7. Attach cover to basin and complete installation by attaching electrical, vents, check valves, etc.

Shown below are two very typical installations that may be helpful. One is an indoor, vented sump/sewage basin—the other an outdoor, ribbed sewage system. Your particular needs may be slightly different but should follow the general guidelines as described above. If you have any questions about installations, please contact your AK field representative or an AK customer service technician.



NOTES:

- Always read carefully all instructions from AK, pump manufacturers, etc. prior to installations.
- Check all local, state and federal codes to make certain your installations are compliant.
- Make certain to use proper venting techniques and check valves where required.
- Do not install basins or pumps in areas classified as hazardous by U.S. NEC or Canadian CEC.
- Generally, sump/sewage basins should be located at the lowest place in the basement or outdoor area to be drained. Floor drains from other areas as well as inside and outside footer tiles may be connected to the basin. However, make certain that the basin size is suitable for the water or waste loading you may need to increase basin size or install multiple basins/pumps.
- Always protect the basin, lid, pump and piping from areas where a danger of freezing exists!
- Backfill and underfill for basins should always be naturally rounded, free flowing stone or gravel aggregate with a particle size of not less than 1/8" and no greater than 3/4" diameter. Never use an angular material like limestone whose sharp edges could eventually pierce a basin.
- CAUTION: If burial depths exceed the basin height, consult AK prior to installation since reinforcement may be required!
- CAUTION: The AK warranty is void if other than approved backfill materials and installation guidelines are used without prior written consent from AK. Please contact the factory with installations questions if in doubt.

COMMITMENT TO QUALITY

At AK Industries, Inc., our goal is to be recognized by our customers as leaders in quality rotational molded products. We pursue this goal by embodying the philosophy of customer service, commitment to continuous improvement of quality, and the consistent search for manufacturing excellence.

MANUFACTURER'S ONE (1) YEAR LIMITED WARRANTY

A. K. Industries, Inc. (A.K.), the manufacturer of this product, in accordance with designs and specifications contained in this brochure, as modified by any additions or changes expressly reflected on the A.K. invoice for the product purchased, warrants to the original Purchaser that such product (as defined below) will be free from defects in materials and workmanship for a period of one (1) year from the date of purchase as evidenced by purchaser's proof of purchase; provided, however, that, notwithstanding any other term or provision of this limited warranty, and in accordance with the terms and conditions of the Contract of Purchase entered into between A.K. and the Purchaser, the terms and conditions of which are hereby incorporated by reference as though fully set forth here verbatim, A.K. MAKES NO OTHER EXPRESSED OR IMPLIED WARRANTY, AND EXPRESSLY DISCLAIMS ANY IMPLIED WARRANTIES, RELATING TO THE PRODUCT'S DESIGN, INCLUDING ITS FITNESS FOR ANY PARTICULAR PURPOSE.

Purchaser shall mean the person for whom the product is originally manufactured. A.K. will repair or replace, in its sole discretion, any defects in materials or workmanship in the product, but specifically excluding any defects in the design or performance of any A.K. product for its particular or any other purpose, occurring in the one-year warranty period. A.K.'S LIABILITY UNDER THIS WARRANTY IS LIMITED TO THE VALUE OF THE PRODUCT, AND IT SHALL NOT BE LIABLE FOR ANY CONSEQUENTIAL DAMAGES, LABOR, MATERIAL, FREIGHT, OR OTHER EXPENSES REQUIRED IN REPLACING, CORRECTING, OR RE-INSTALLING THE PRODUCT. SUCH REPAIR OR REPLACEMENT SHALL BE THE ONLY REMEDY AVAILABLE TO THE PURCHASER UNDER THIS LIMITED WARRANTY.

This limited warranty gives you specific legal rights, and you may also have other rights which vary from state to state. THIS LIMITED WARRANTY IS MADE IN LIEU OF ANY OTHER EXPRESSED WARRANTIES. FURTHERMORE, A.K. DISCLAIMS ANY IMPLIED WARRANTIES ARISING IN CONNECTION WITH THE SALE OF THIS PRODUCT, INCLUDING ANY IMPLIED WARRANTIES OF MERCHANTABILITY OR FITNESS FOR A PARTICULAR PURPOSE. No employee, dealer, agent or other person is authorized to make any warranty or representation with respect to this product, other than is expressly contained herein. IN NO EVENT SHALL A.K. BE LIABLE FOR INCIDENTAL OR CONSEQUENTIAL DAMAGES RESULTING FROM THE USE OF THIS PRODUCT. SOME STATES DO NOT ALLOW THE EXCLUSION OR LIMITATION OF INCIDENTAL OR CONSEQUENTIAL DAMAGES, SO THE ABOVE LIMITATIONS MAY NOT APPLY TO YOU.

This limited warranty does not cover defects resulting from accidents, damage while in transit to our manufacturing location, alterations, unauthorized repair, failure to follow instructions, misuse, or acts of God.

Any claims arising under the foregoing must be reported to A.K. in writing within a period of one (1) year from the date of delivery of the product to the original Purchaser.

A.K. INDUSTRIES, INC. • P.O. BOX 640 • PLYMOUTH, IN 46563

Company Profile

Since 1980, AK Industries has been producing quality products for the waste water industry. AK's original product line was mainly fiberglass composition but in 1992 rotational molding equipment was installed for the production of a complete line of polyethylene basins.

Today, AK's facility occupies over 90,000 square feet of manufacturing space, employing over 90 people that produce literally hundreds of products including fiberglass and polyethylene basins, basin covers, accessories, poly septic tanks and specialized custom products.

AK's management, sales and production teams understand that their customers are the only reason they exist! Both current and prospective customers are encouraged to visit the AK facility at any time to personally witness the quality in manufacturing excellence that has become the hallmark for AK's growth over the years.



AK Industries, Inc.
2055 Pidco Drive
Plymouth, IN 46563

Phone: 574-936-6022
Fax: 800-936-5811

Mailing Address:
AK Industries, Inc.
P.O. Box 640
Plymouth, IN 46563

www.akindustries.com