

PART/PRINT #:

PART DESCRIPTION:

SCALE:

REVISION:

DATE:

AKP50700

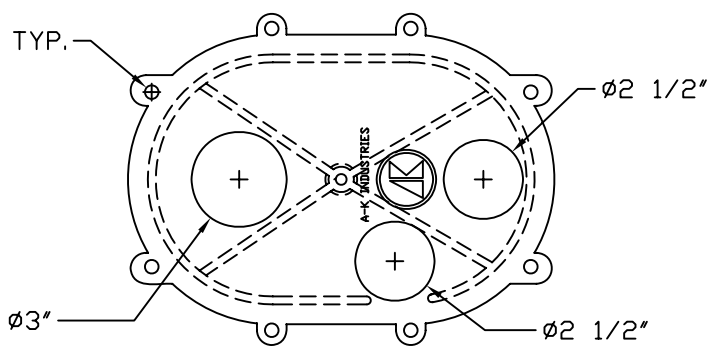
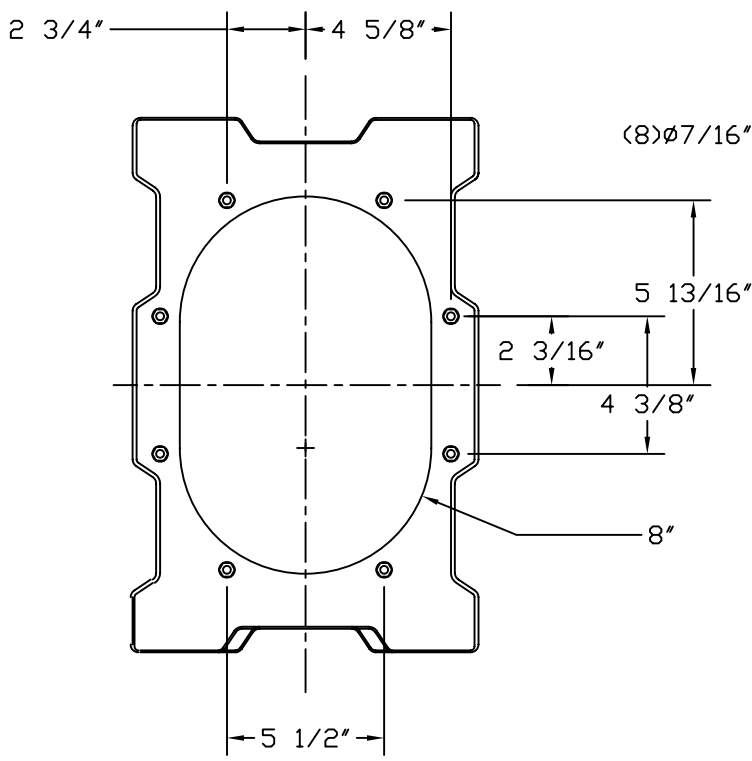
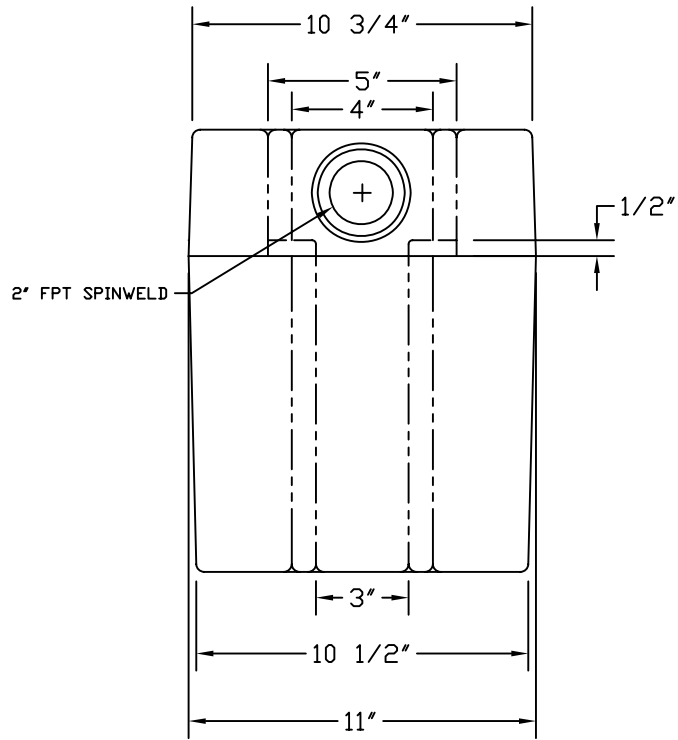
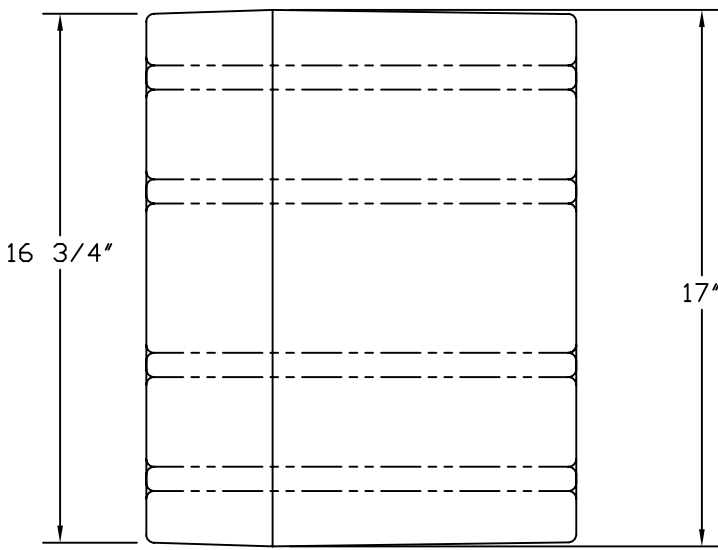
BASIN WATERBOX 2 INLX1.5 DIS.

NOT TO SCALE

002

4/12/04

THIS DRAWING IS THE SOLE PROPERTY OF AK INDUSTRIES INC.



B.O.M.
WATERBOX
 AKP10770 2" BLACK FPT SPINWELD
 AKP10840 WATERBOX LID
 AKP10600 GASKET PACK WATERBOX 1.5"

NOTES:
BOTTOM CAN NOT BE CONVEX



AK INDUSTRIES INC.
 2055 PIDCO DR.
 PLYMOUTH, IN. 46563
 PHONE: (574) 936-6022

DRAWN BY:
 M. OLIVAREZ

TOLERANCE:
 ± 0.250 UNLESS SPECIFIED OTHERWISE

SIGNATURE: