

PART/PRINT #:

PART DESCRIPTION:

SCALE:

REVISION:

DATE:

AKP50690

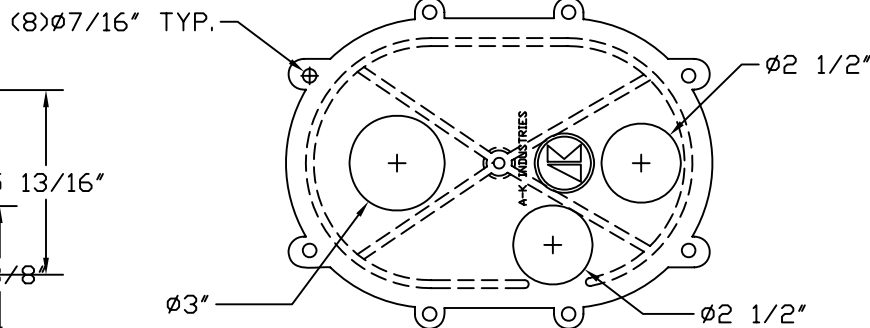
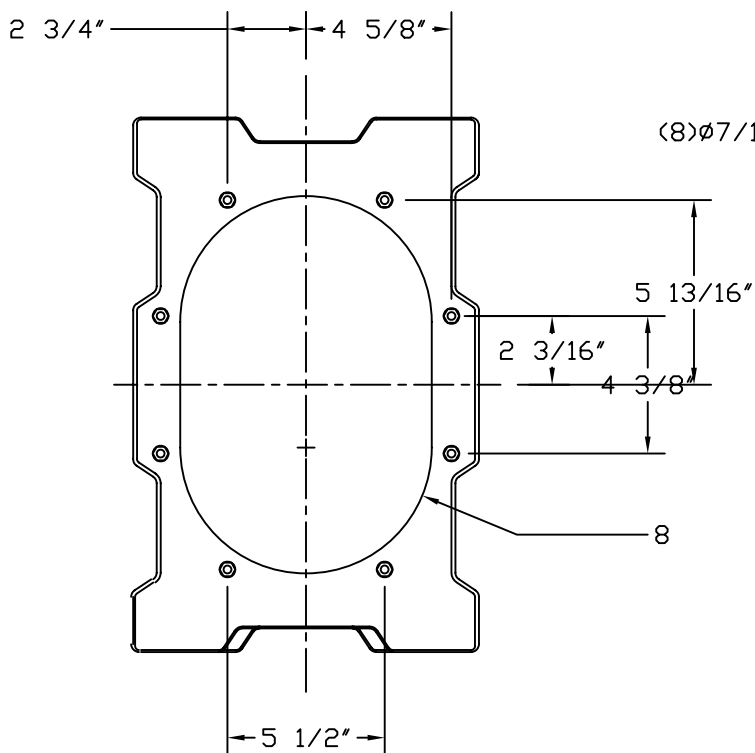
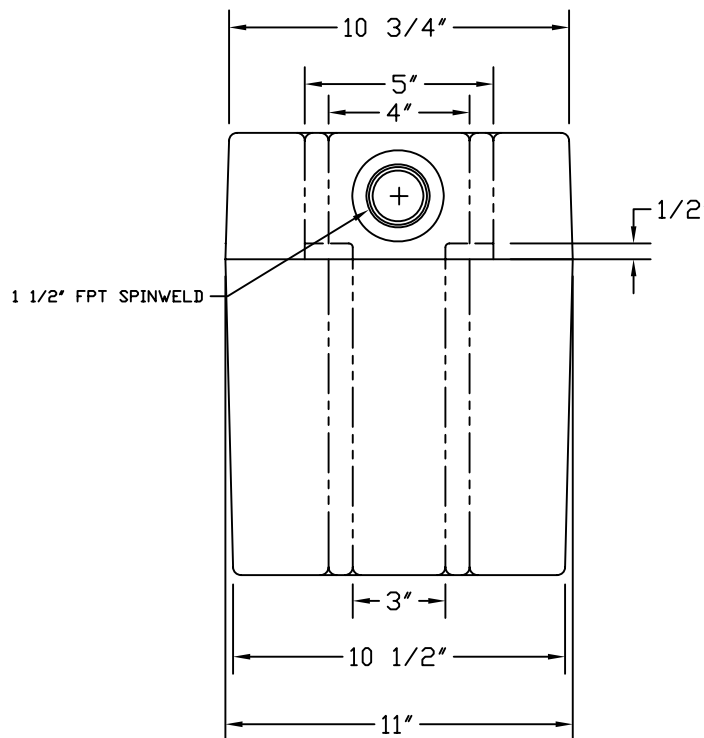
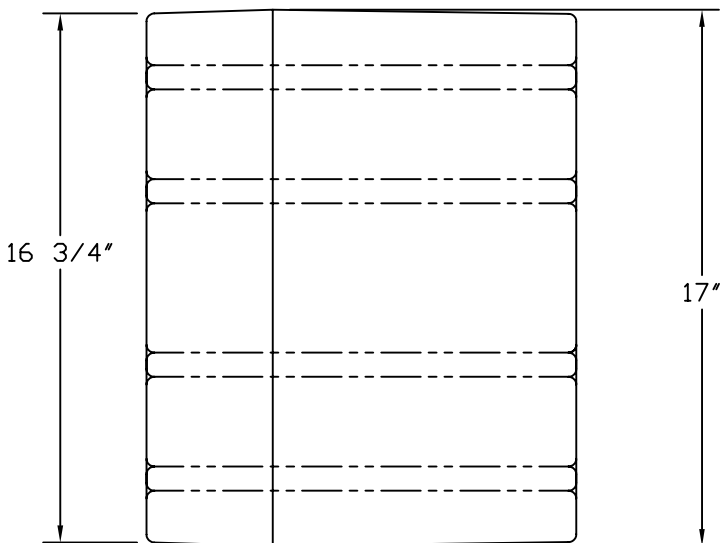
BASIN WATERBOX 1.5 INLX1.5&1.25 DIS.

NOT TO SCALE

002

4/12/04

THIS DRAWING IS THE SOLE PROPERTY OF AK INDUSTRIES INC.



B.O.M.

WATERBOX

AKR50180 1 1/2" BLACK FPT SPINWELD

AKP10840 WATERBOX LID

AKP10595 GASKET PACK WATERBOX1.25 & 1.5"

NOTES:

BOTTOM CAN NOT BE CONVEX



AK INDUSTRIES INC.
 2055 PIDCO DR.
 PLYMOUTH, IN. 46563
 PHONE:(574) 936-6022

DRAWN BY:
 M.OLIVAREZ

TOLERANCE:
 ± 0.250 UNLESS SPECIFIED OTHERWISE

SIGNATURE: