

PART/PRINT #:

PART DESCRIPTION:

SCALE:

REVISION:

DATE:

AKP50630

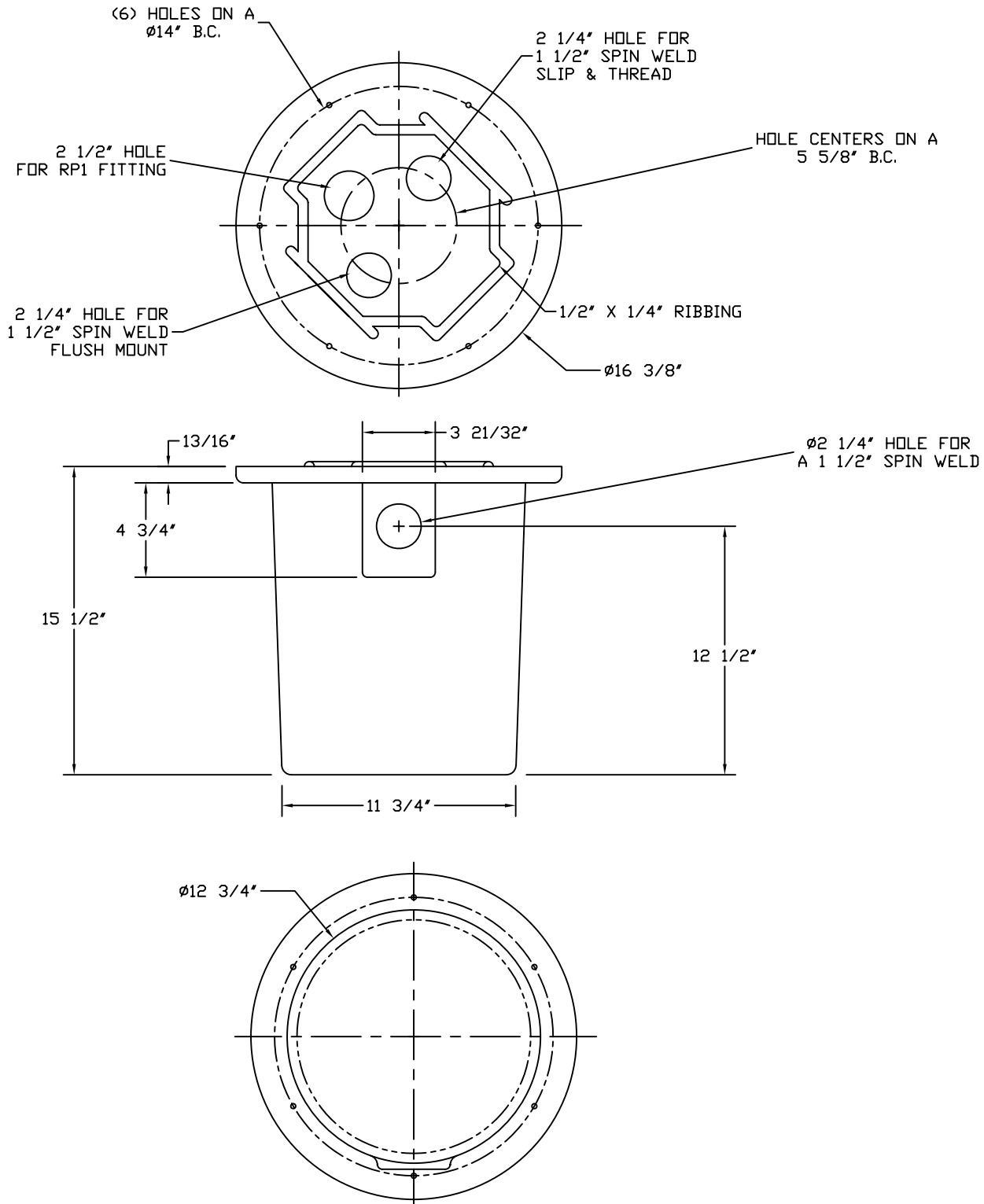
BASIN SINKTRAY

NOT TO SCALE

003

8/29/03

THIS DRAWING IS THE SOLE PROPERTY OF AK INDUSTRIES INC.



B.O.M.

AKR50180 (2) 1 1/2" SPINWELD FLUSH

AKR50230 1 1/2" SINWELD SLIP&THREAD

AKP10575 GASKET PACK SINKTRAY



AK INDUSTRIES INC.
2055 PIDCO DR.
PLYMOUTH, IN. 46563
PHONE:(574) 936-6022

DRAWN BY:
M.Olivarez

TOLERANCE:
± 0.250 UNLESS SPECIFIED OTHERWISE

SIGNATURE: