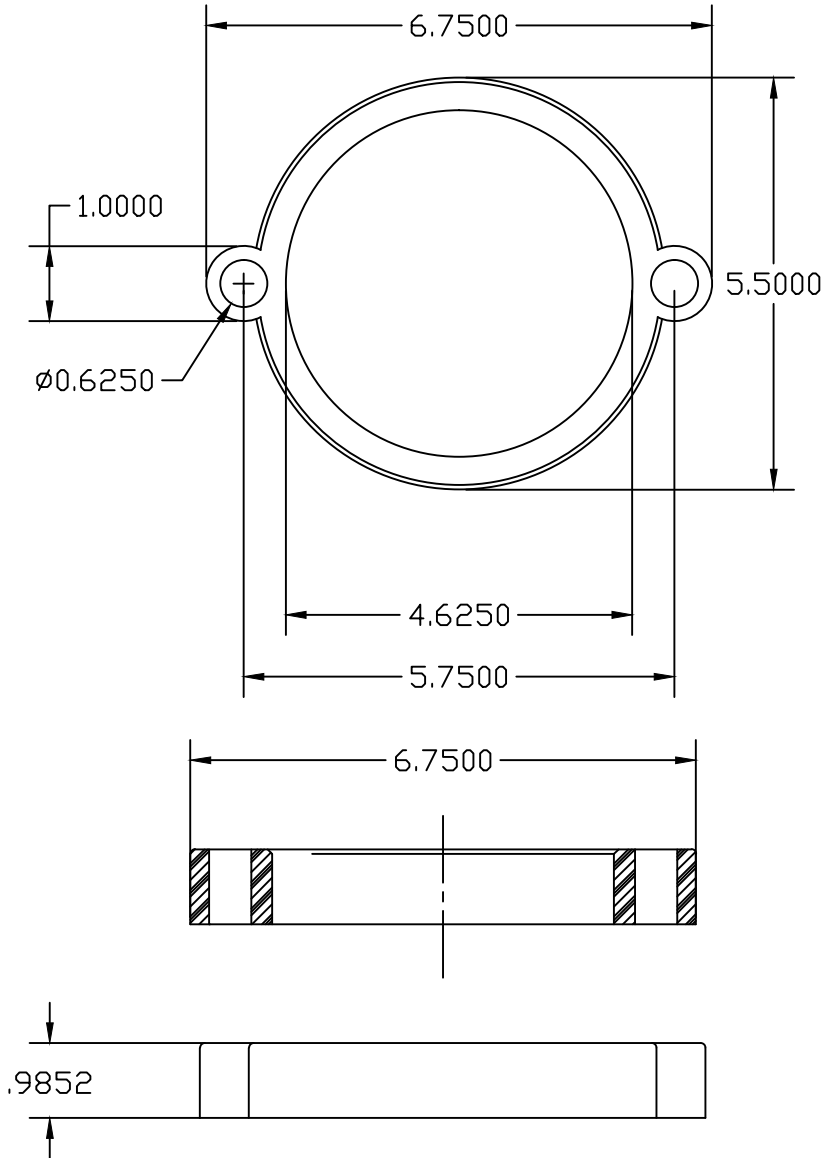


PART/PRINT NO.  
LA-400VENT

PART DESCRIPTION  
VENT FLANGE 4"

REVISION  
001

DATE  
5/2/03



4" VENT FLANGE

DRAWN  
M.OLIVAREZ

MATERIAL

TOLERANCE  
+/- .025 UNLESS SPECIFIED OTHERWISE

SIGNATURE