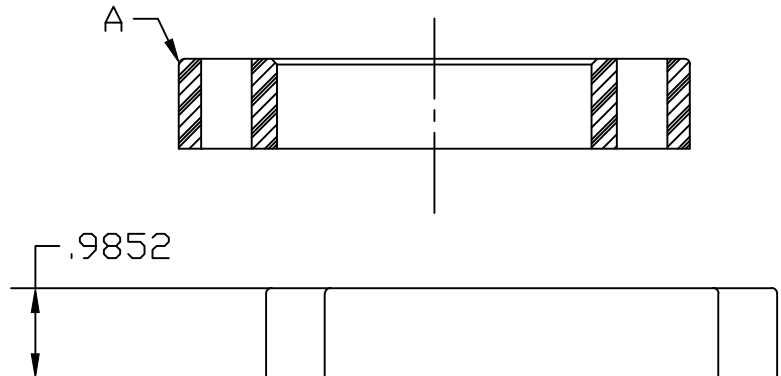
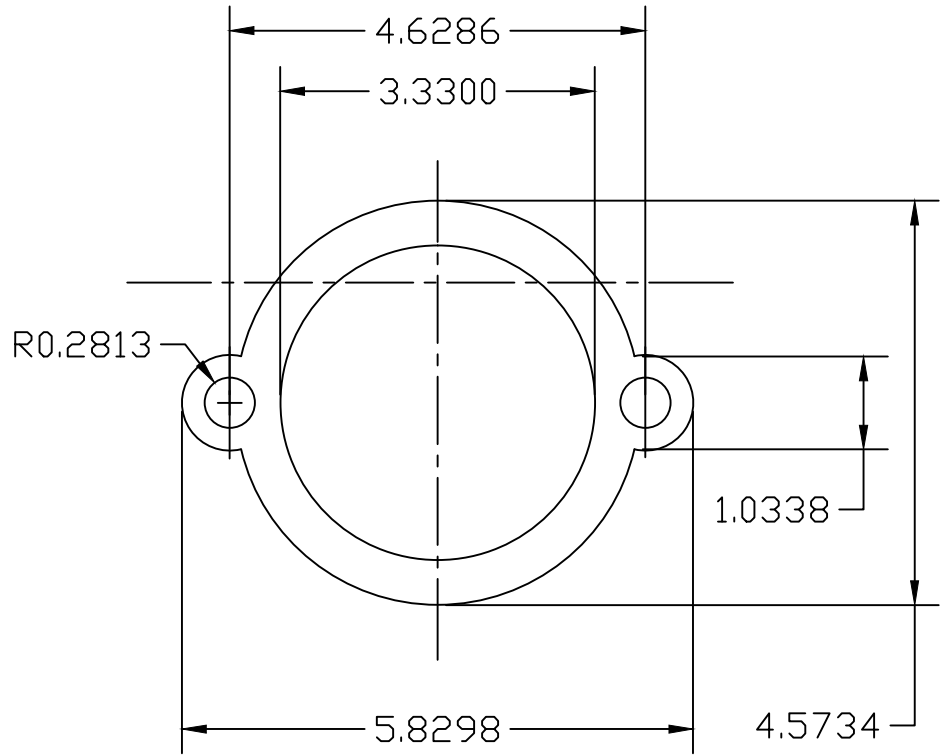
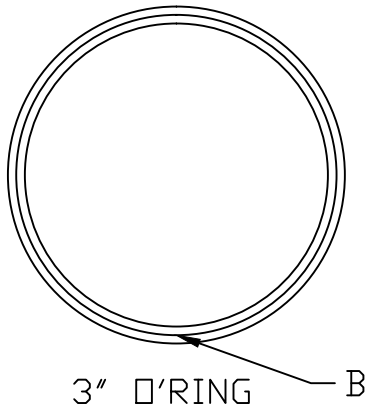


PART/PRINT NO.
LA-300DISCH

PART DESCRIPTION
DISCHARGE FLANGE 3"

REVISION
001

DATE
5/2/03



3" DISCHARGE FLANGE

B.O.M
A 3" DISCHARGE FLANGE
B 3" □ RING

DRAWN
M.Olivarez

MATERIAL

TOLERANCE
+/- .025 UNLESS SPECIFIED OTHERWISE

SIGNATURE