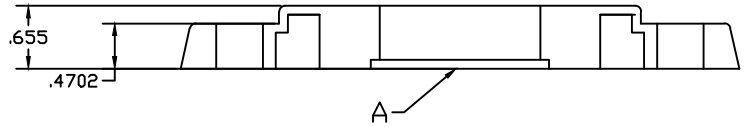
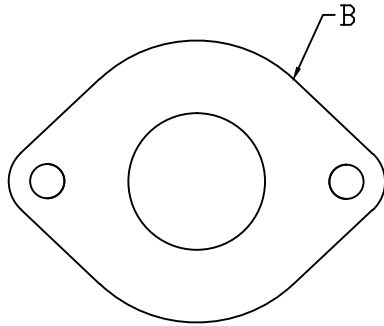


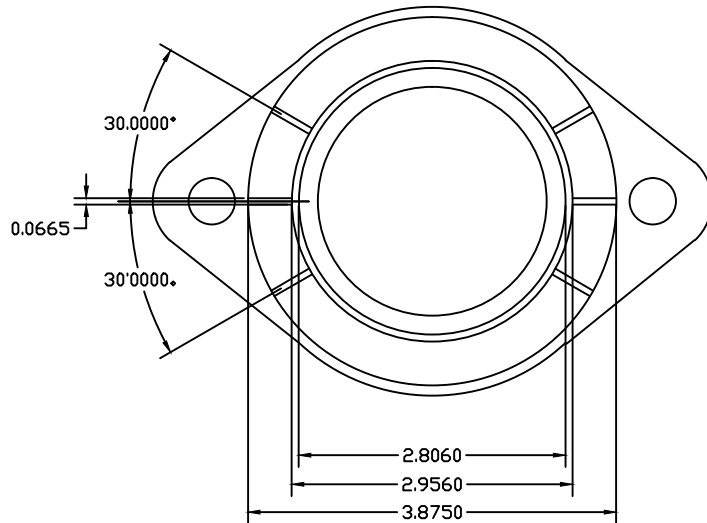
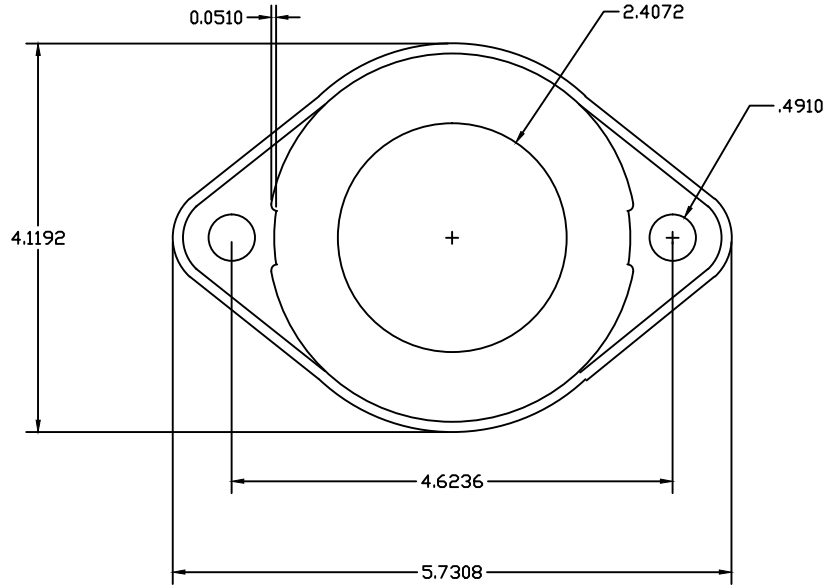
2" 'O' RING



2" DISCHARGE FLANGE



2" FLAT PLATE



- B.O.M
A 2" DISCHARGE
B 2" FLAT PLATE
C 2" O RING