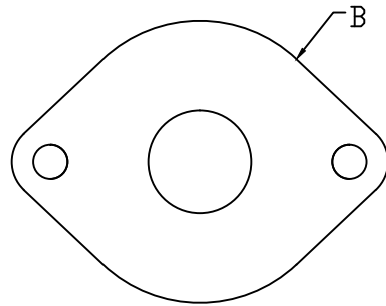
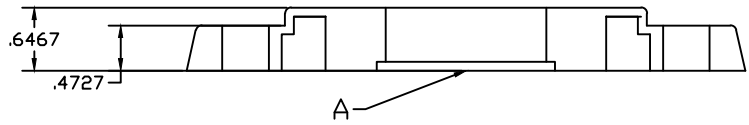


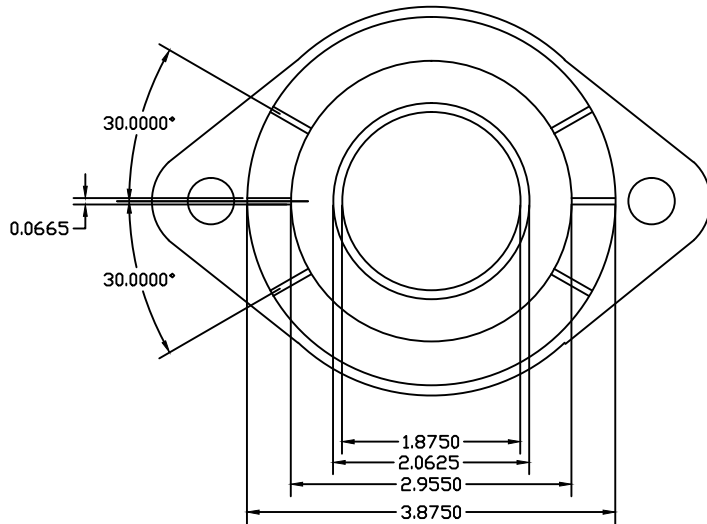
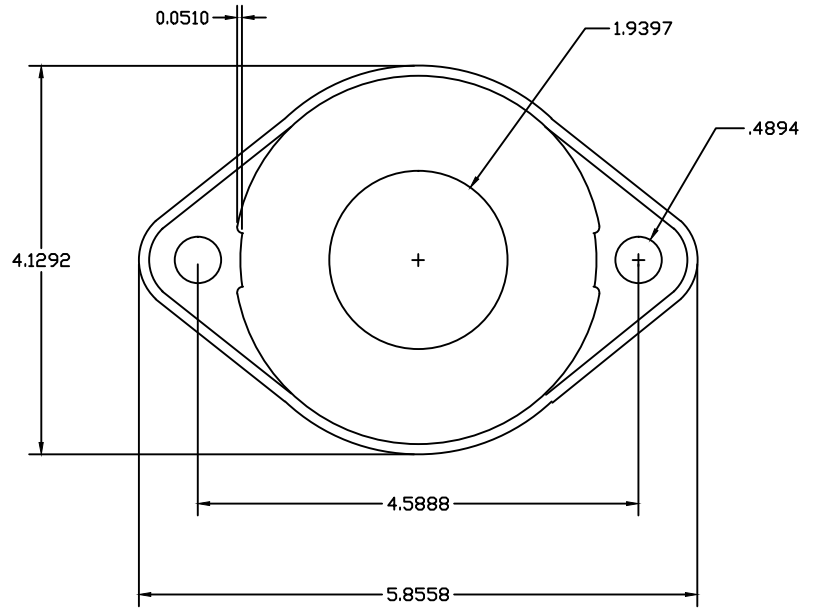
1 1/4-1 1/2
'O' RING



1 1/2" FLAT PLATE



1 1/2" DISCHARGE FLANGE



- B.O.M
A 1 1/2" DISCHARGE
B 1 1/2" FLAT PLATE
C 1 1/4-1 1/2" O RING