

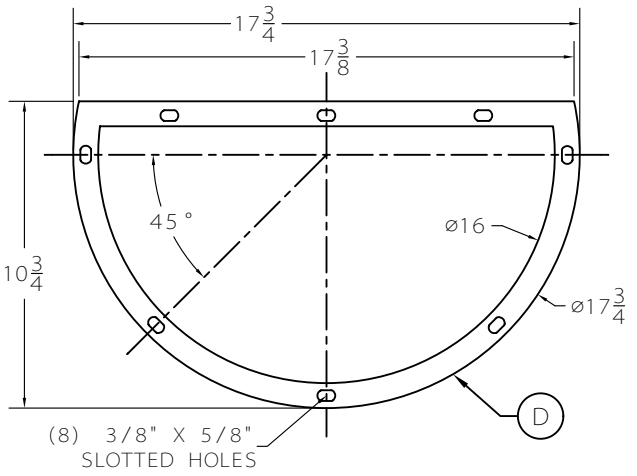
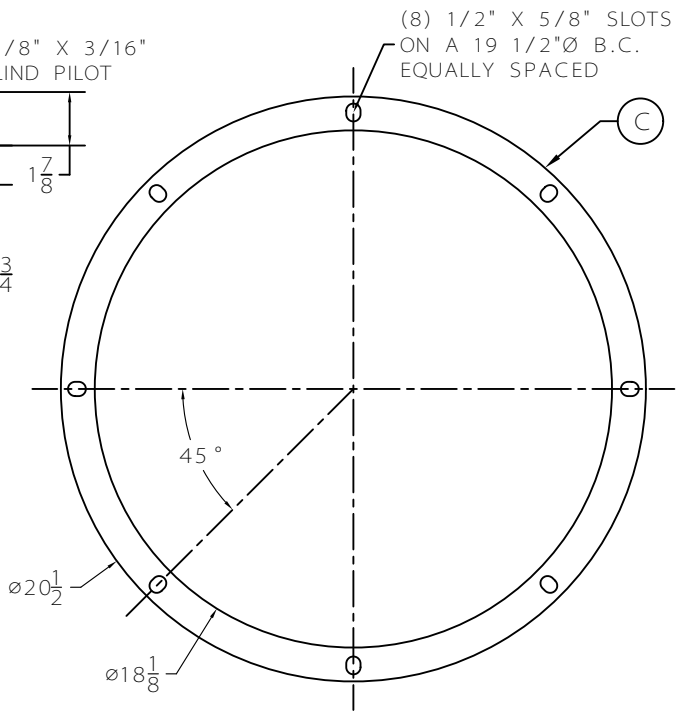
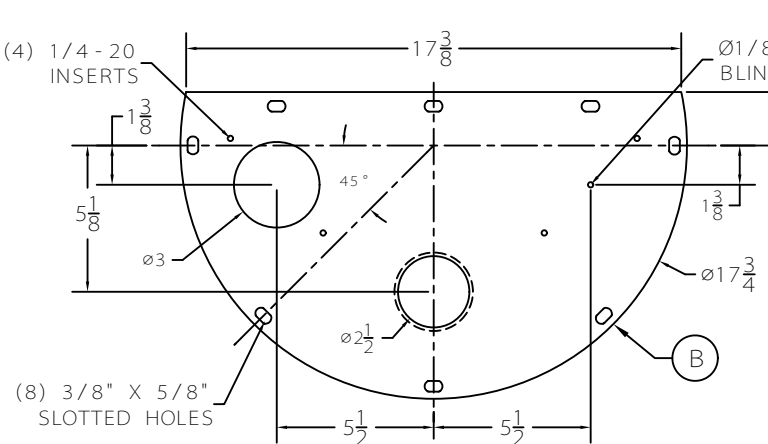
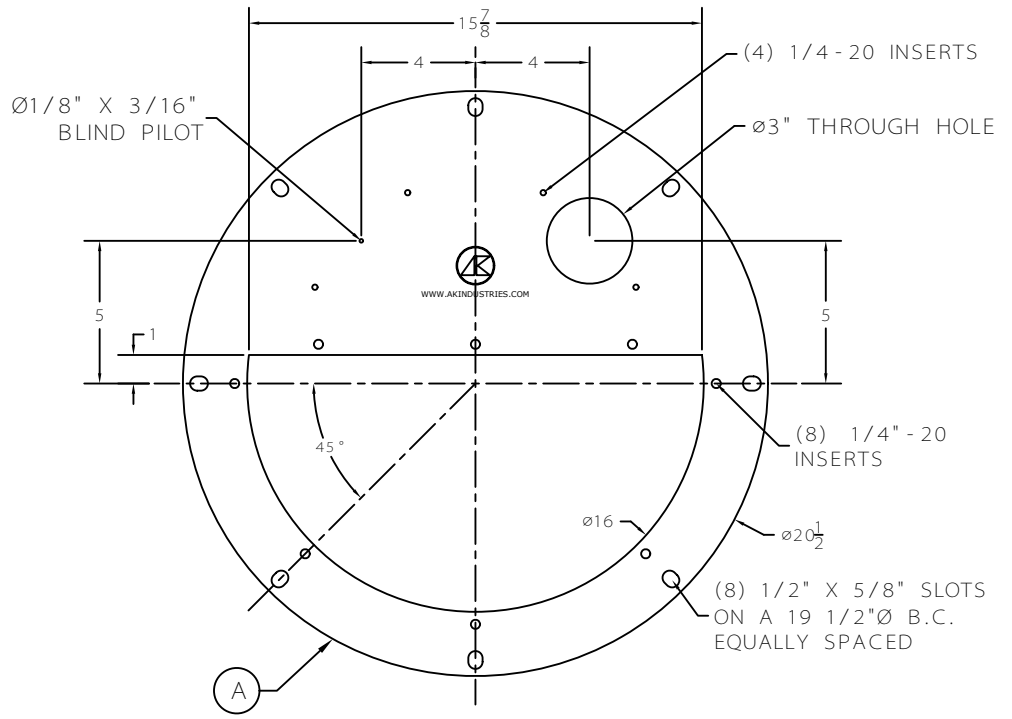
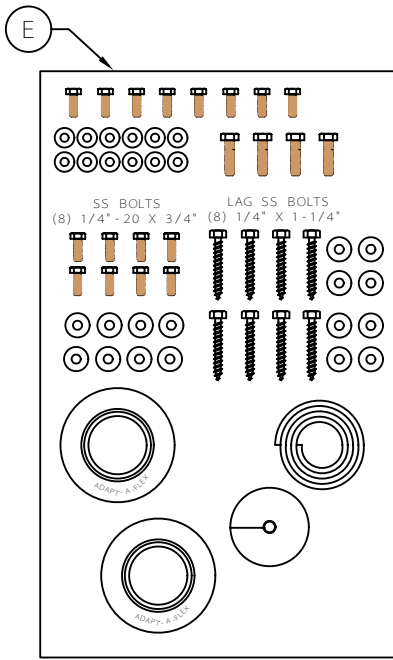
AK PART #: **AKP80310**

Description: **SF 18" / 2 X 2 AFF**

Revision #: **000**

Date: **02/03/17**

THIS DRAWING IS THE SOLE PROPERTY OF AK INDUSTRIES INC.



| B.O.M. | | | |
|--------|-----------|------------------------------------|------|
| ITEM# | P/N | DESCRIPTION | QTY. |
| A | AKR100165 | COVER, 18" W/ ACCESS OPENING | 1 |
| B | AKR100170 | COVER, CLEAR ACCESS PLATE | 1 |
| C | AKR100175 | COVER, GASKET NEOPRENE .125 X 20.5 | 1 |
| D | AKR100180 | COVER, GASKET NEOPRENE .125 X 17.5 | 1 |
| E | AKP09950 | GASKET PACK, 18" SF CVR 2 X 2 AAF | 1 |

Notes: -- Approved by: Material: Structural Foam Scale: NTS Tolerances are +/- 0.250 Unless Specified Otherwise DRAWN BY: A.DAVIS