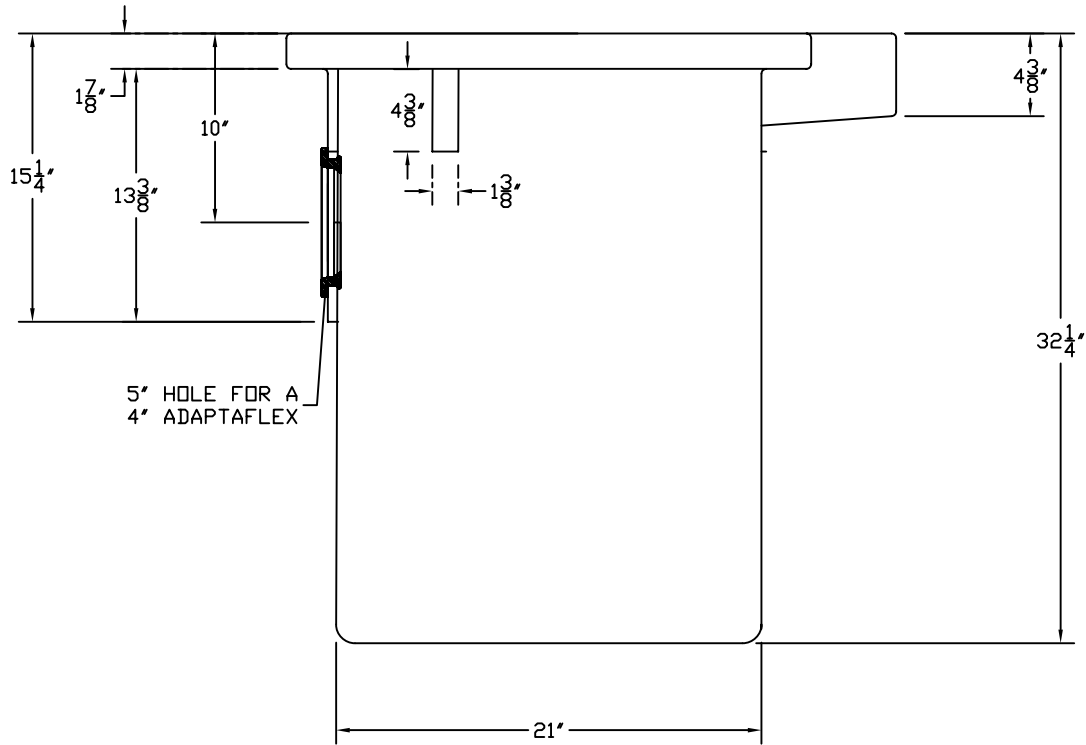
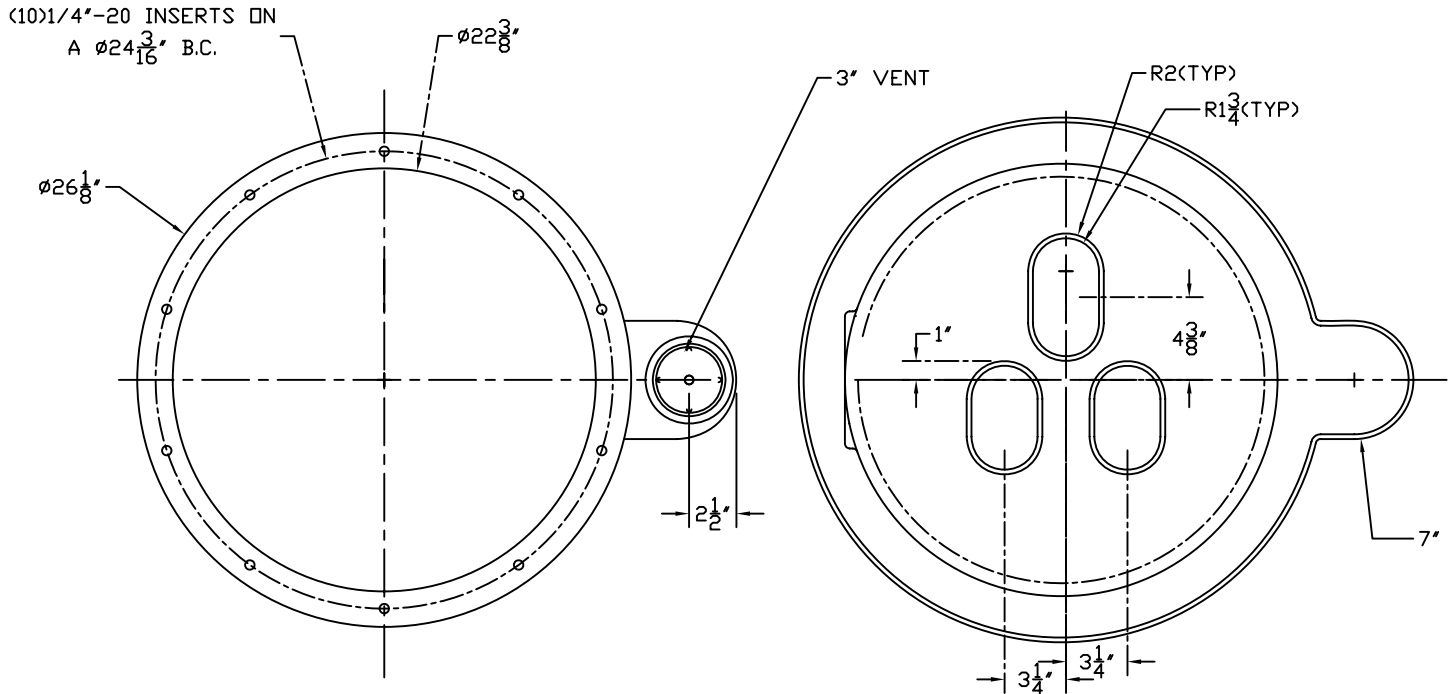


PART/PRINT #: AKP40260	PART DESCRIPTION: BASIN SVT 22X32 3" VENT (1) 4" AAF	SCALE: NOT TO SCALE	REVISION: 002	DATE: 9/3/03
---------------------------	---	------------------------	------------------	-----------------



THIS DRAWING IS THE SOLE PROPERTY OF AK INDUSTRIES INC.

B.O.M.
 AKP40180 SVT 22X32
 AKP10780 3" SPINWELD
 AKP10111 4" ADAPT A FLEX W/RETAINING RING
 AKR50070 (10) 1/4"-20 ALUMINUM INSERTS

 AK INDUSTRIES INC. 2055 PIDCO DR. PLYMOUTH, IN. 46563 PHONE: (574) 936-6022	DRAWN BY: M. OLIVAREZ	TOLERANCE: ± 0.250 UNLESS SPECIFIED OTHERWISE	SIGNATURE:
---	--------------------------	--	------------