

PART/PRINT #:

PART DESCRIPTION:

SCALE:

REVISION:

DATE:

AKP40230

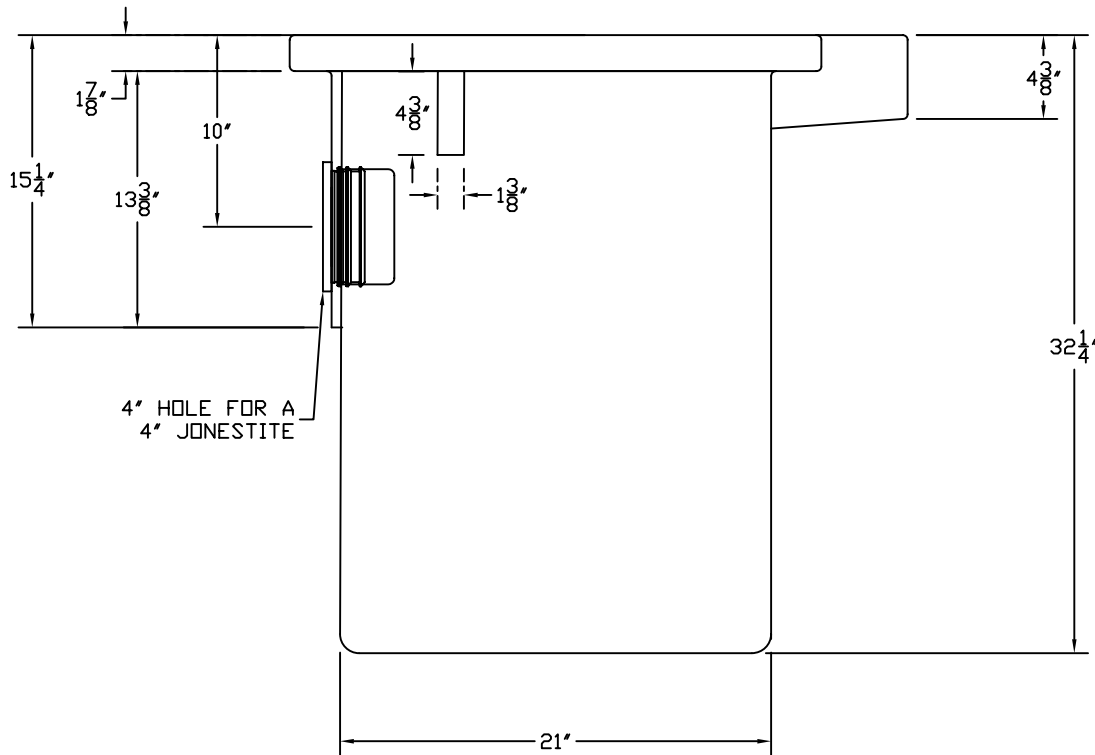
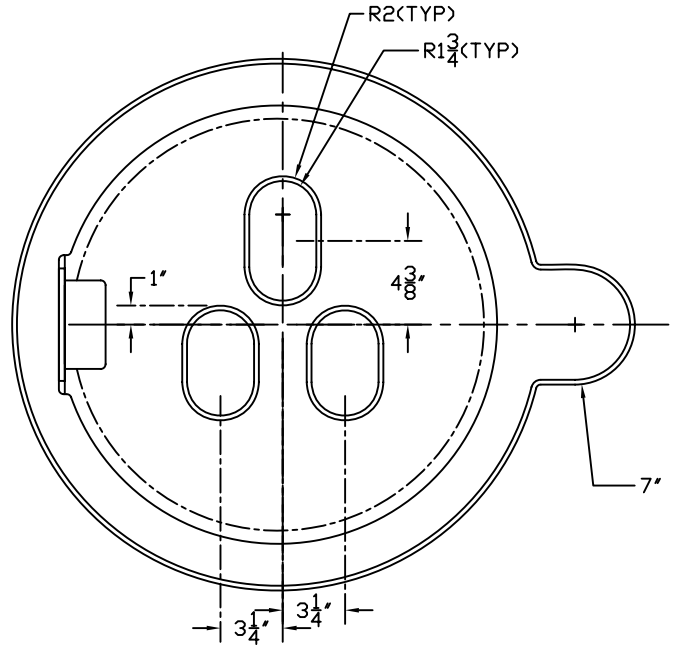
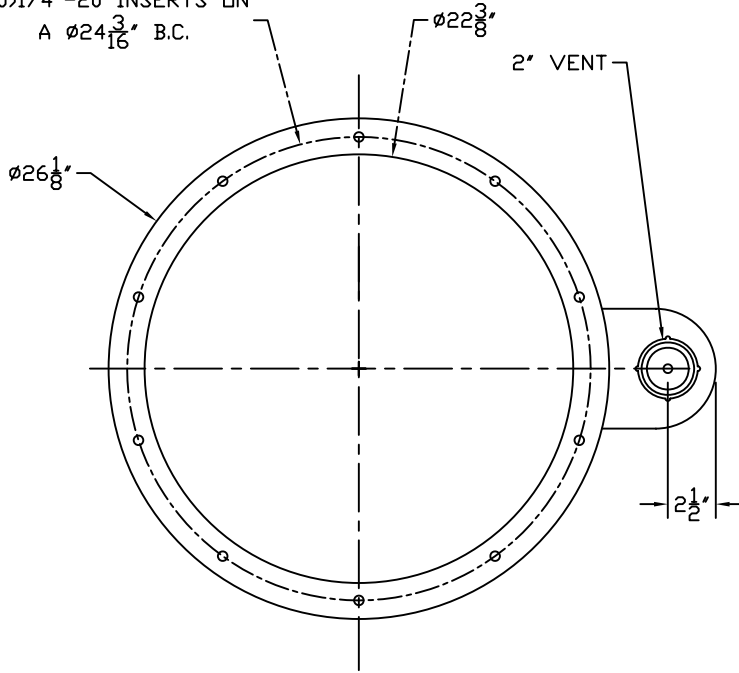
BASIN SVT 22X32 2" VENT (1) INTRHUB

NOT TO SCALE

002

9/3/03

(10) 1/4"-20 INSERTS ON
A $\phi 24 \frac{3}{16}$ " B.C.



THIS DRAWING IS THE SOLE PROPERTY OF AK INDUSTRIES INC.

B.O.M.

AKP40180 SVT 22X32

AKP10770 2" SPINWELD

AKP10270 4" JONES TIGHT

AKR50070 (10) 1/4"-20 ALUMINUM INSERTS



AK INDUSTRIES INC.
2055 PIDCO DR.
PLYMOUTH, IN. 46563
PHONE: (574) 936-6022

DRAWN BY:
M. OLIVAREZ

TOLERANCE:
± 0.250 UNLESS SPECIFIED OTHERWISE

SIGNATURE: