

PART/PRINT #:

PART DESCRIPTION:

SCALE:

REVISION:

DATE:

AKP30130

RTP 18X30 (1) 4" CAST IRON HUB

NOT TO SCALE

002

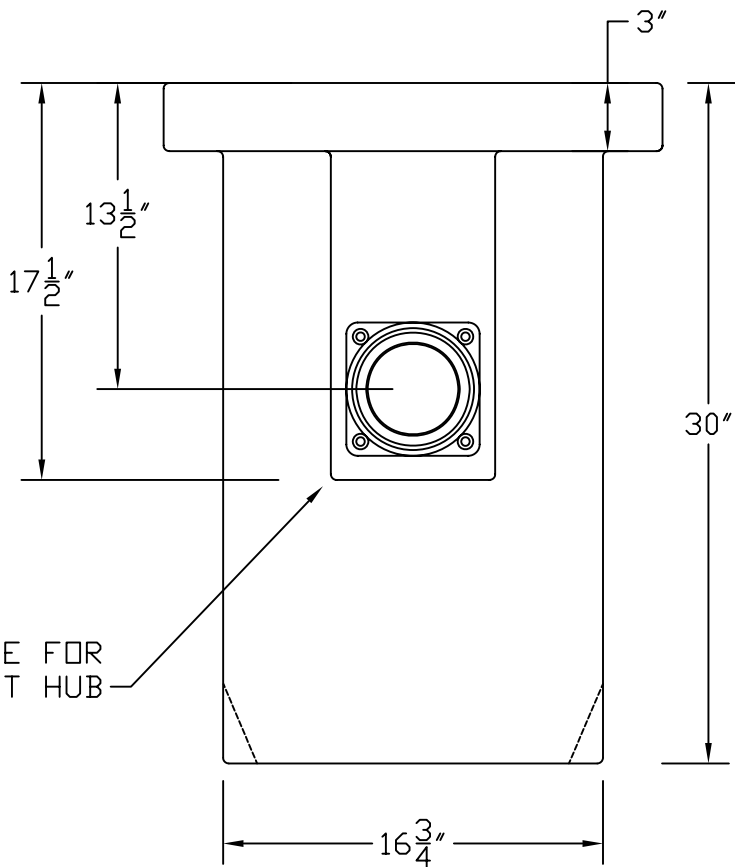
04/10/07

$\phi 22 \frac{3}{8}$ "

$1 \frac{1}{8}$ "

2"

(8) INSERTS ON  
19 1/2"  $\phi$  CIRCLE



B.O.M.

AKP30070 RTP 18X30

AKR50070 (8) 1/4-20 ALUMINUM INSERT

AKP10180 CAST IRON HUB FLAT 4"



AK INDUSTRIES INC.  
2055 PIDCO DR.  
PLYMOUTH, IN. 46563  
PHONE: (574) 936-6022

DRAWN BY:

M. OLIVAREZ

TOLERANCE:

± 0.250 UNLESS SPECIFIED OTHERWISE

SIGNATURE:

THIS DRAWING IS THE SOLE PROPERTY OF AK INDUSTRIES INC.