

PART/PRINT #:

PART DESCRIPTION:

SCALE:

REVISION:

DATE:

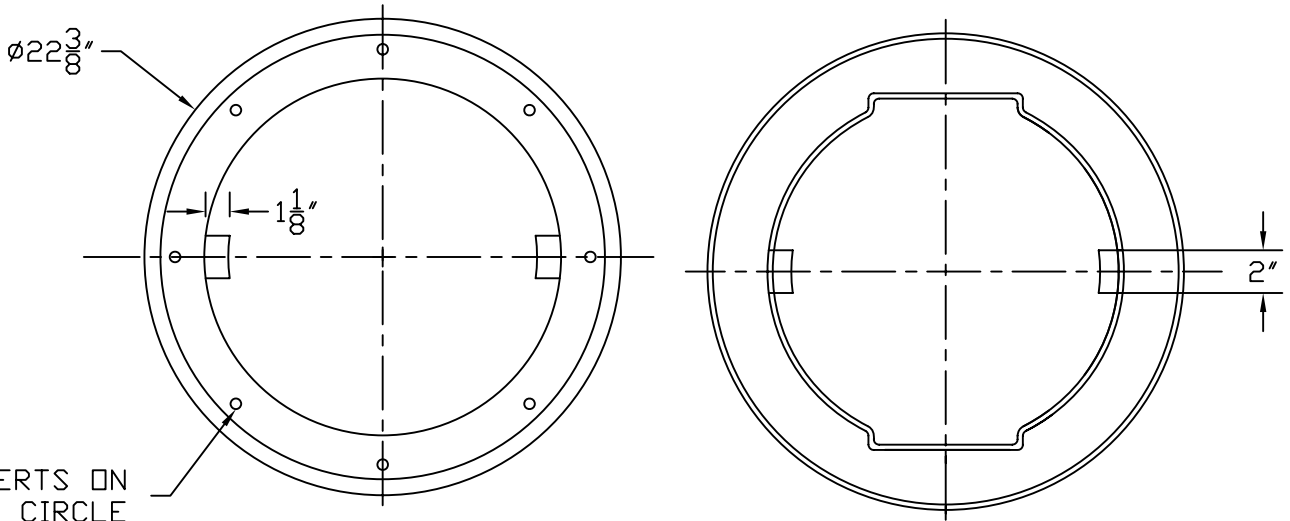
AKP30120

RTP 18 X 30 (1) 4" AAF

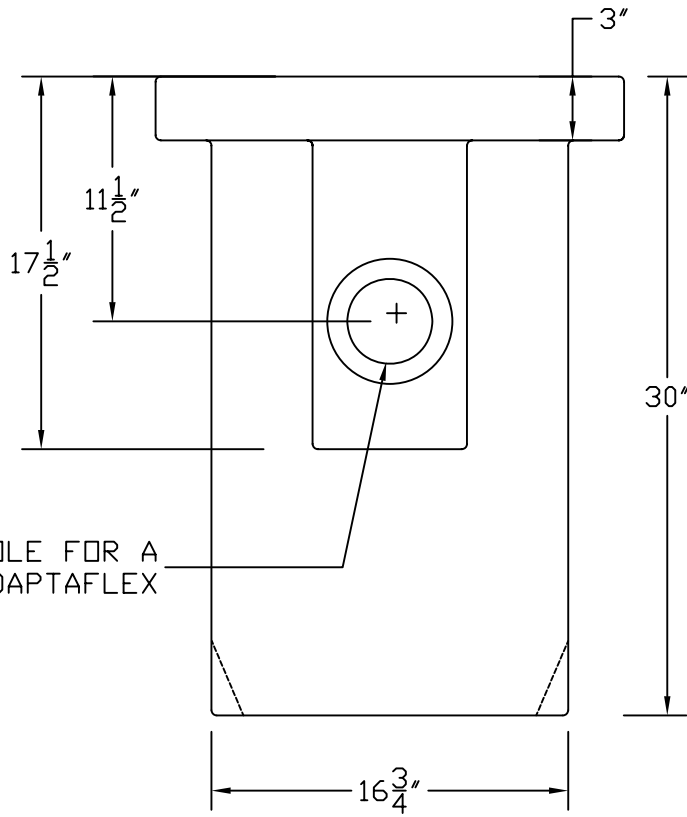
NOT TO SCALE

002

7/21/06



(8) INSERTS ON
19 1/2" Ø CIRCLE



5" HOLE FOR A
4" ADAPTAFLEX

THIS DRAWING IS THE SOLE PROPERTY OF AK INDUSTRIES INC.

B.O.M.

AKP30070 RTP 18X30

AKP10111 ADAPTAFLEX 4" SCH40 W/RETAINING RING

AKR50070 (8) 1/4X20 ALUMINUM INSERTS



AK INDUSTRIES INC.
2055 PIDCO DR.
PLYMOUTH, IN. 46563
PHONE: (574) 936-6022

DRAWN BY:

M. OLIVAREZ

TOLERANCE:

± 0.250 UNLESS SPECIFIED OTHERWISE

SIGNATURE: