

PART/PRINT #:

PART DESCRIPTION:

SCALE:

REVISION:

DATE:

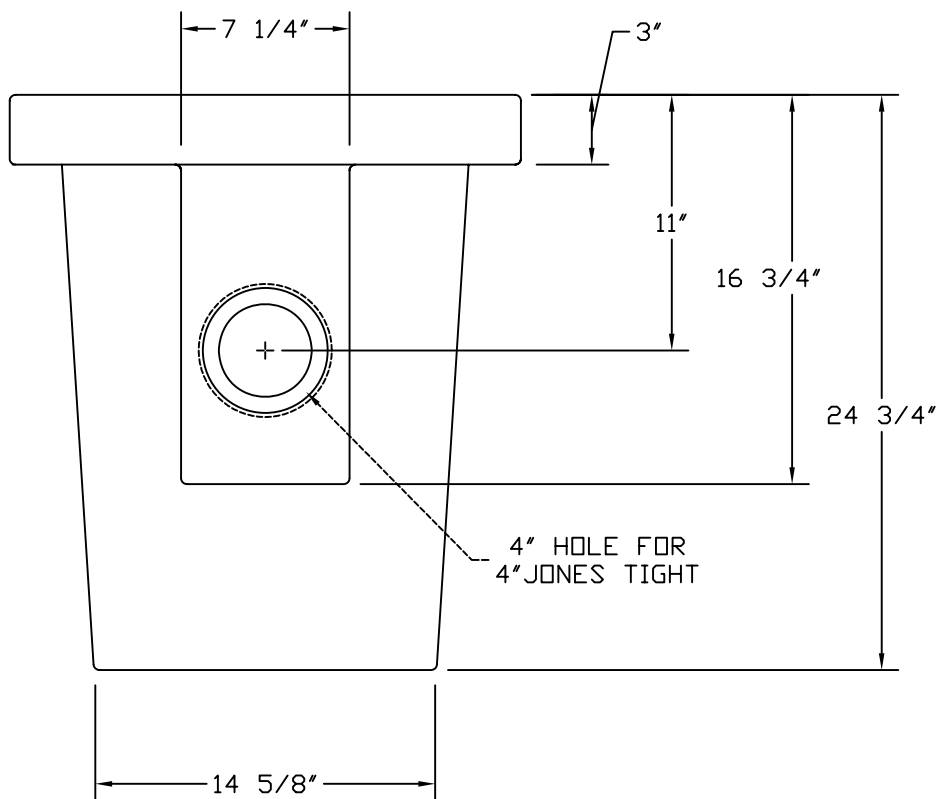
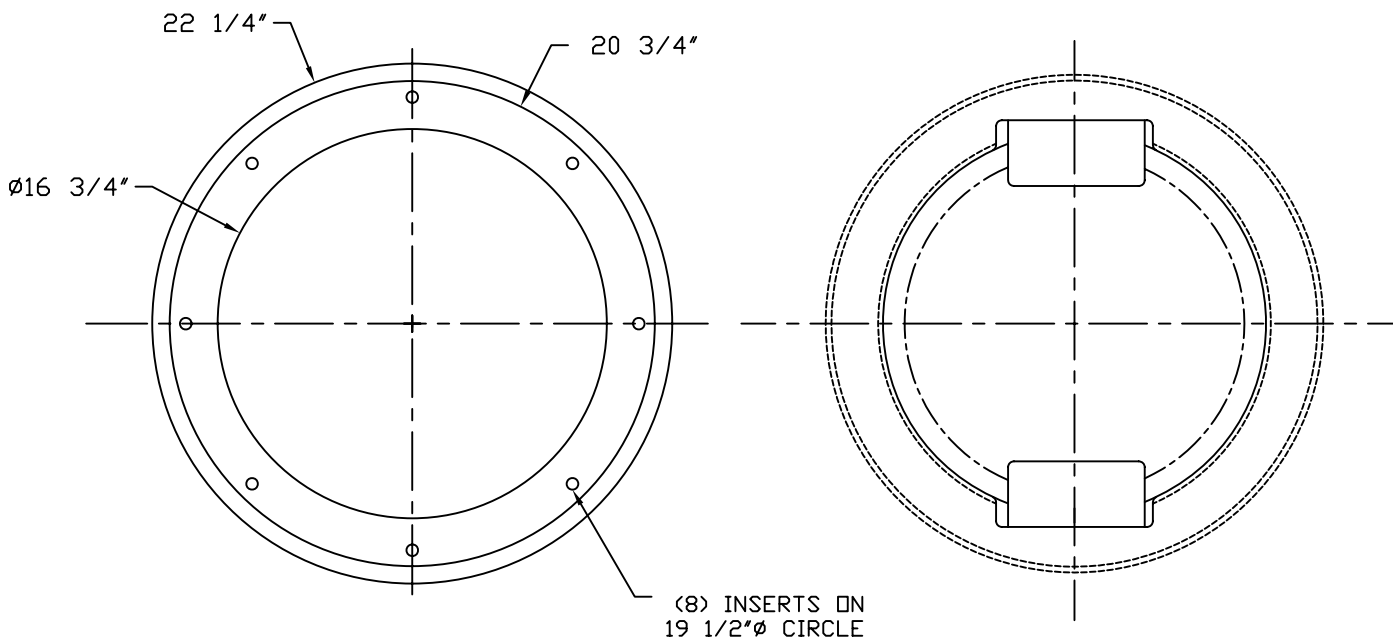
AKP30060

RTP 18 X 22 (1) INTRHUB

NOT TO SCALE

001

7/29/03



B.O.M.

AKP30000 RTP 18X22

AKP10570 JONES TIGHT 4"



AK INDUSTRIES INC.
2055 PIDCO DR.
PLYMOUTH, IN. 46563
PHONE: (574) 936-6022

DRAWN BY:
M. OLIVAREZ

TOLERANCE:
± 0.250 UNLESS SPECIFIED OTHERWISE

SIGNATURE:

THIS DRAWING IS THE SOLE PROPERTY OF AK INDUSTRIES INC.