

PART/PRINT #:

PART DESCRIPTION:

SCALE:

REVISION:

DATE:

AKP80241

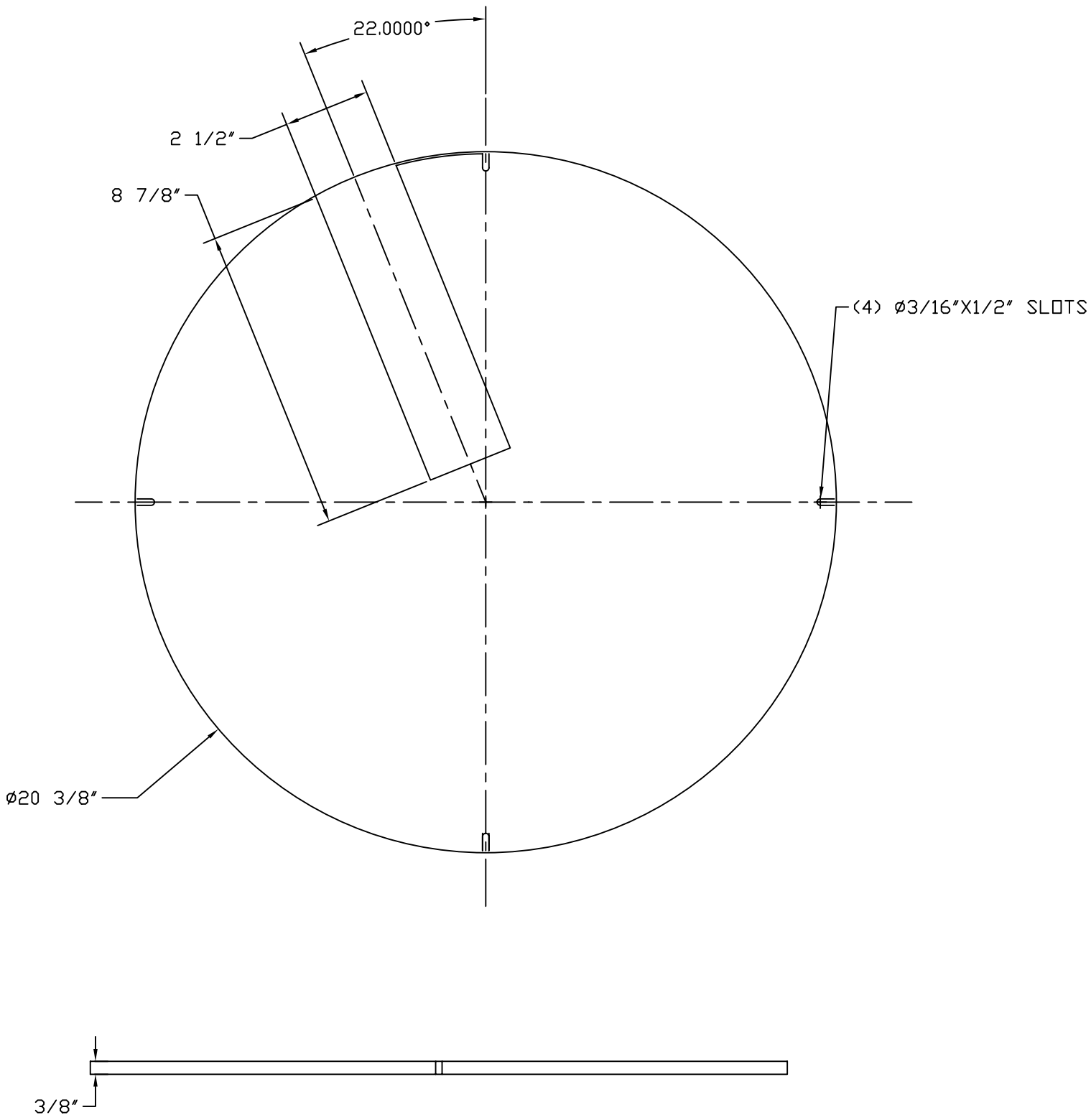
STRUCTURAL FOAM 18" SLOTTED W/O BOLTS

NOT TO SCALE

003

9/8/03

THIS DRAWING IS THE SOLE PROPERTY OF AK INDUSTRIES INC.



B.O.M.
AKR51320 FOAM COVER SLOTTED



AK INDUSTRIES INC.
2055 PIDCO DR.
PLYMOUTH, IN. 46563
PHONE:(574) 936-6022

DRAWN BY:
M.O LIVAREZ

TOLERANCE:
± 0.125 UNLESS SPECIFIED OTHERWISE

SIGNATURE: