

PART/PRINT #:

PART DESCRIPTION:

SCALE:

REVISION:

DATE:

AKP80240

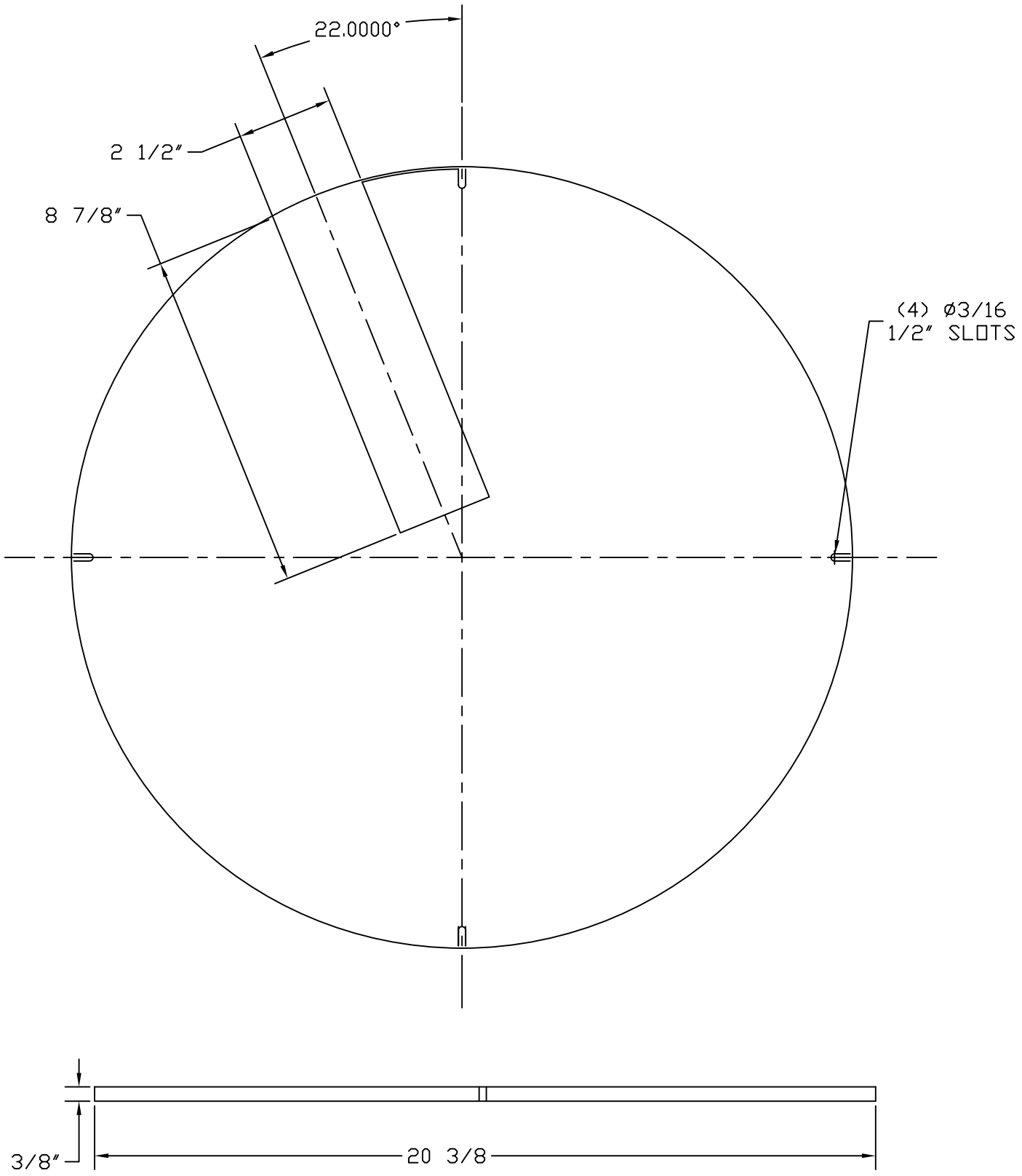
STRUCTURAL FOAM 18" SLOTTED W/BOLTS

NOT TO SCALE

003

9/8/03

THIS DRAWING IS THE SOLE PROPERTY OF AK INDUSTRIES INC.



B.O.M.

AKR51320 FOAM COVER SLOTTED

AKP10490 GASKET PACK



AK INDUSTRIES INC.
2055 PIDCO DR.
PLYMOUTH, IN. 46563
PHONE: (574) 936-6022

DRAWN BY:
M. OLIVAREZ

TOLERANCE:
± 0.125 UNLESS SPECIFIED OTHERWISE

SIGNATURE: