

PART/PRINT #:

PART DESCRIPTION:

SCALE:

REVISION:

DATE:

AKP80008

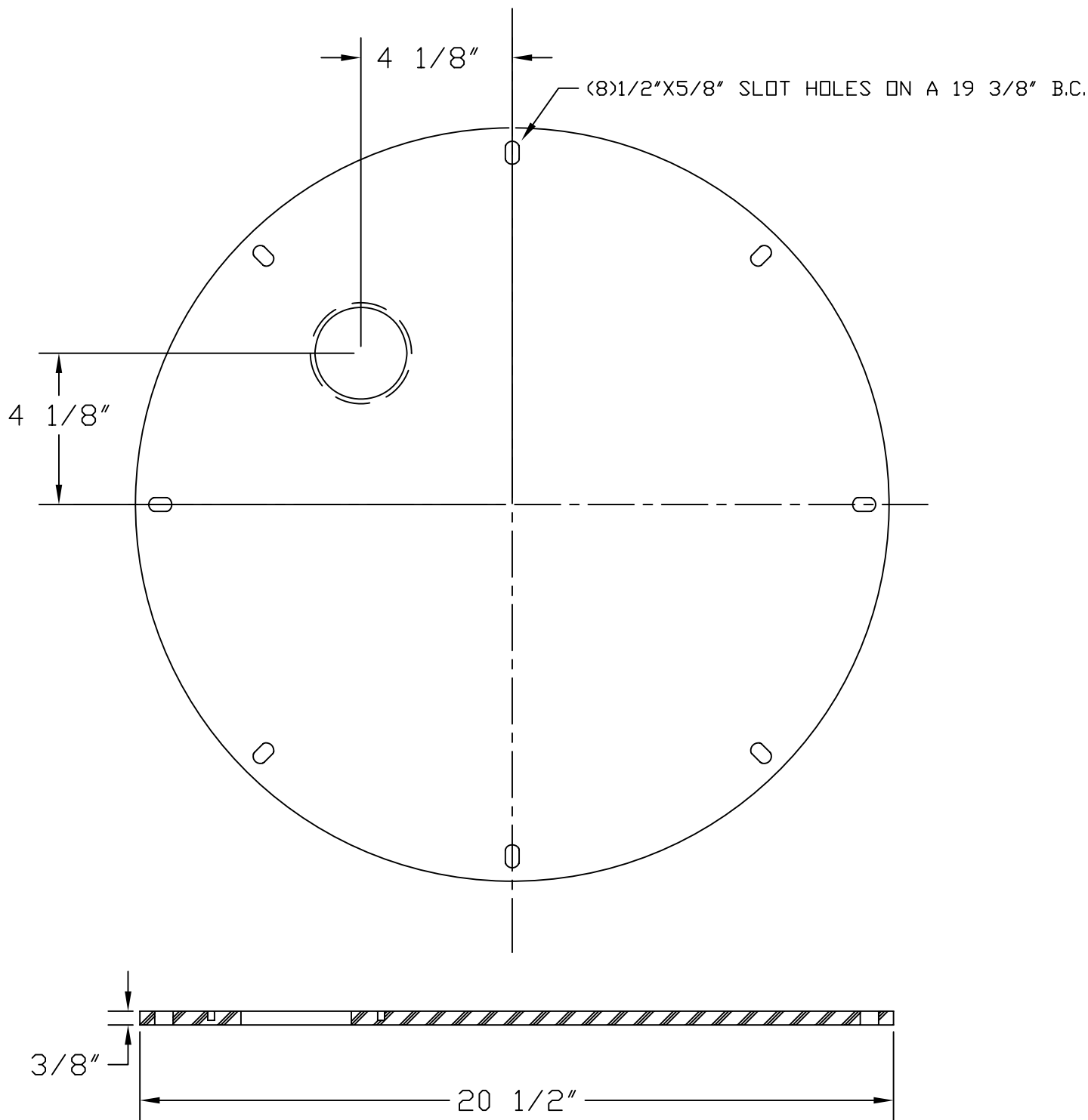
STURCTURAL FOAM 18" BOLTS (1) HOLE

NOT TO SCALE

001

9/5/03

THIS DRAWING IS THE SOLE PROPERTY OF AK INDUSTRIES INC.



**B.O.M.**

**AKR51240 COVER FOAM 2 1/2 HOLE**

**AKP10481 GASKET PACK 1/4 X 1 1/4 LAGS, F/W**



AK INDUSTRIES INC.  
2055 PIDCO DR.  
PLYMOUTH, IN. 46563  
PHONE: (574) 936-6022

DRAWN BY:  
M. OLIVAREZ

TOLERANCE:  
± 0.125 UNLESS SPECIFIED OTHERWISE

SIGNATURE: