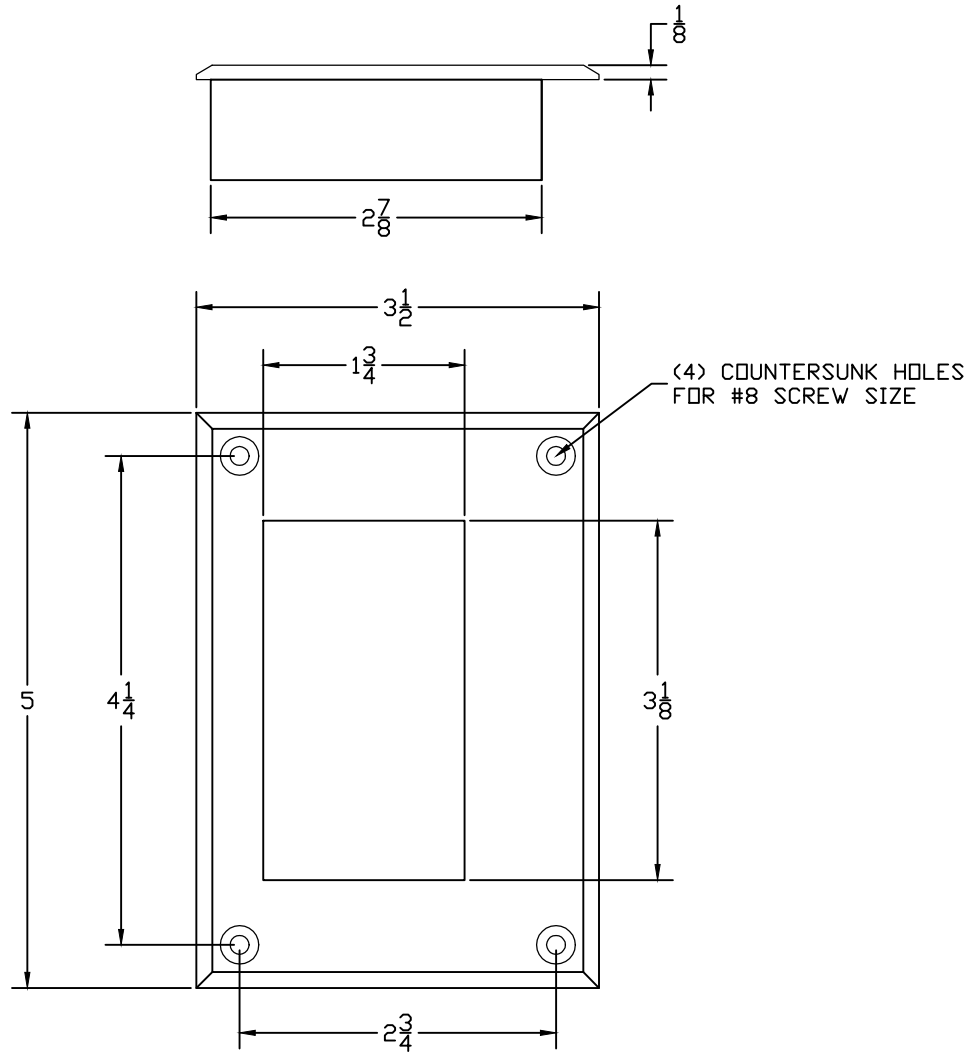


PART/PRINT NO.
LA-RECESSEDHANDLE

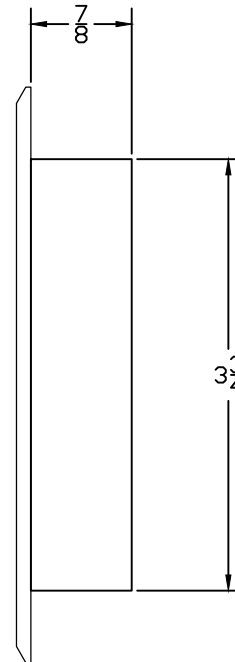
PART DESCRIPTION
SS RECESSED HANDLE (FLUSH)

DATE
09/28/15

THIS DRAWING IS THE THE SOLE PROPERTY OF AK INDUSTRIES INC.



NOTE:
FOR USE W/ 18" & 24"
SOLID H2O COVERS ONLY



AK INDUSTRIES INC.
2055 PIDCO DR.
PLYMOUTH, IN. 46563
PHONE:(574) 936-6022

DRAWN BY:
A.HARTUNG

SCALE:
NOT TO SCALE

REVISION #:

SIGNATURE: