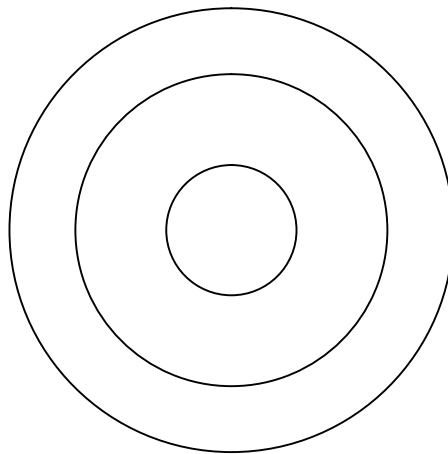
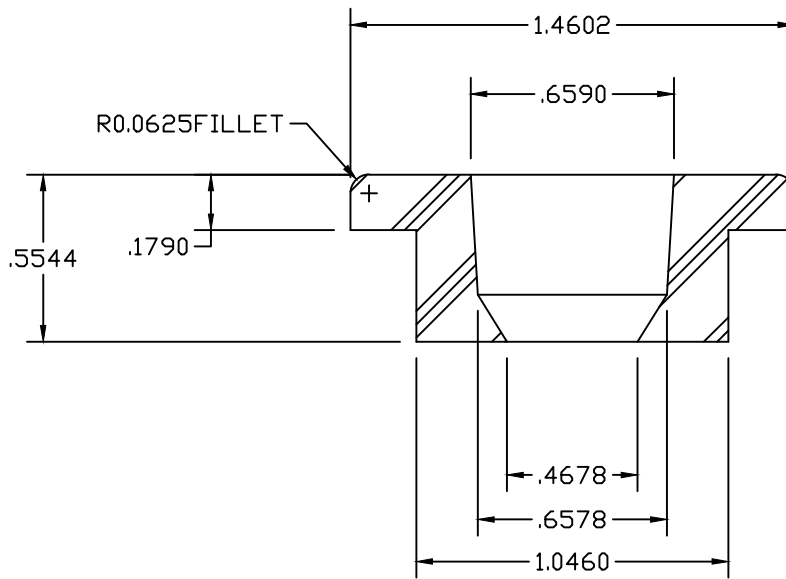
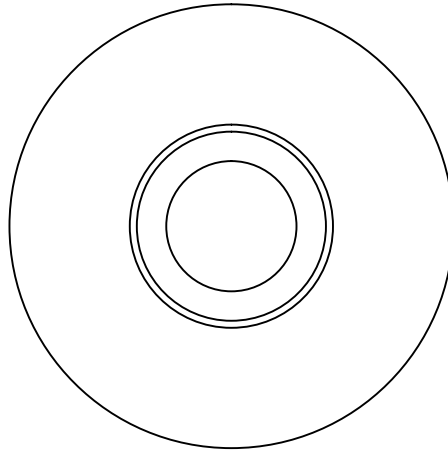


PART/PRINT NO.
GA-375AAF

PART DESCRIPTION
ADAPTAFLEX 0.375"

REVISION
002

DATE
12/27/02



AAF 3/8" ADAPTAFLEX

DRAWN
M.Olivarez

MATERIAL
NEOPRENE

TOLERANCE
+/- .025 UNLESS SPECIFIED OTHERWISE

SIGNATURE