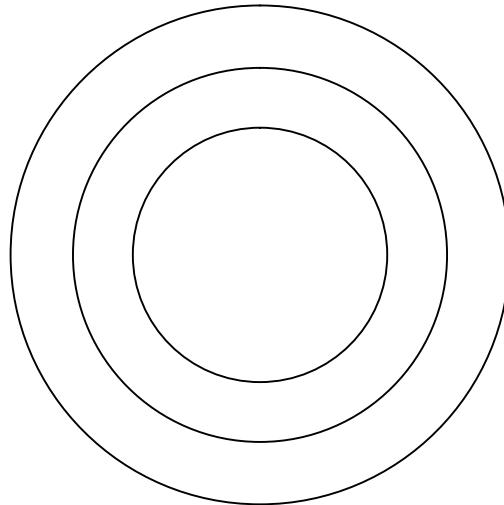
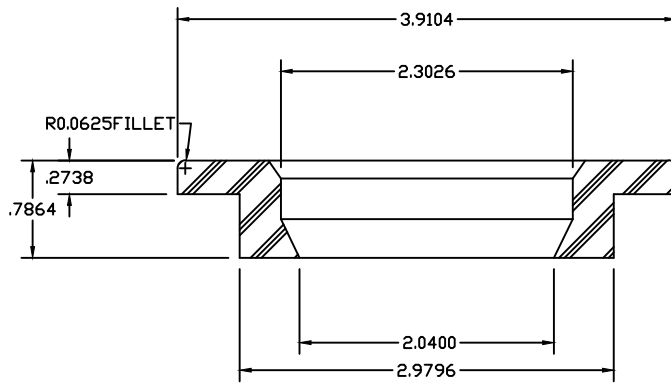
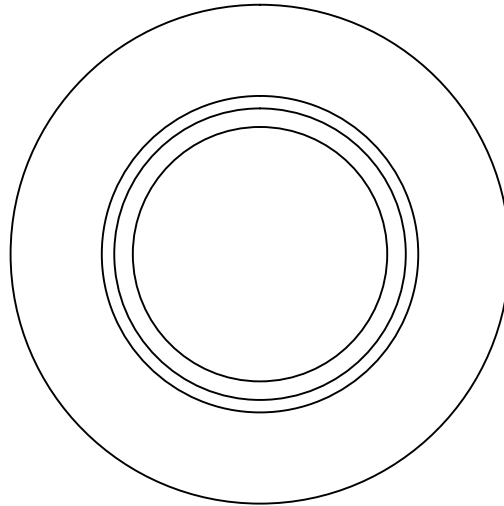


PART/PRINT NO.
GA-200AAF

PART DESCRIPTION
ADAPTAFLEX 2"

REVISION
002

DATE
12/27/02



2" ADAPTAFLEX

DRAWN
M. OLIVAREZ

MATERIAL
NEOPRENE

TOLERANCE
+/- .025 UNLESS SPECIFIED OTHERWISE

SIGNATURE