

PART/PRINT #:

PART DESCRIPTION:

SCALE:

REVISION:

DATE:

AKP10110

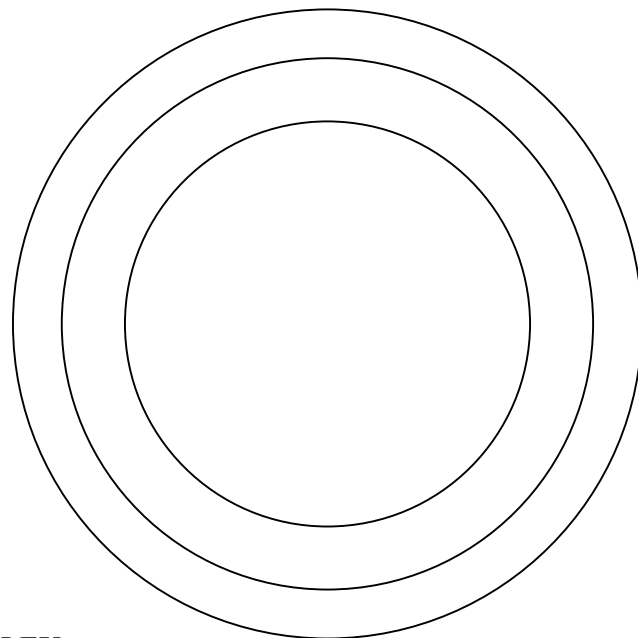
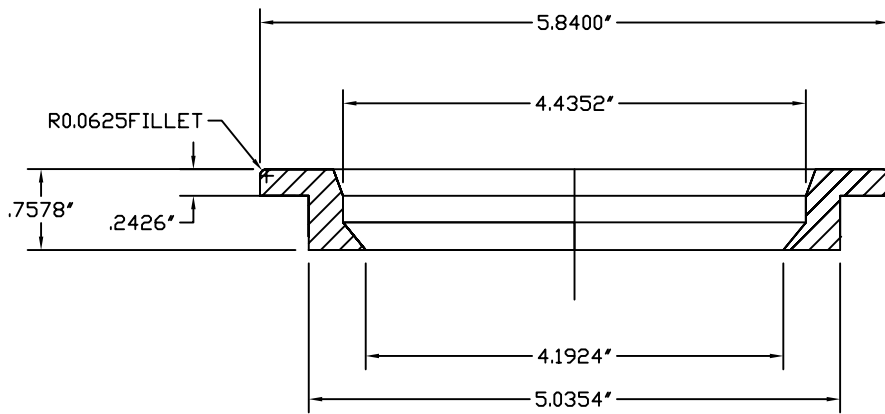
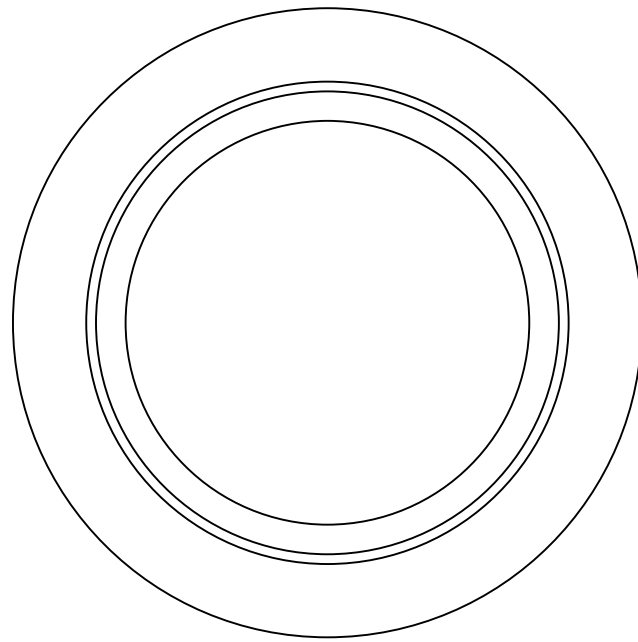
NEOPRENE ADAPTAFLEX 4" SCH40

NOT TO SCALE

002

1/6/03

THIS DRAWING IS THE SOLE PROPERTY OF AK INDUSTRIES INC.



B.O.M  
AKR50675 4" SXH40 ADAPTAFLEX



AK INDUSTRIES INC.  
2055 PIDCO DR.  
PLYMOUTH, IN. 46563  
PHONE: (574) 936-6022

DRAWN BY:  
M. OLIVAREZ

TOLERANCE:  
± 0.0250 UNLESS SPECIFIED OTHERWISE

SIGNATURE: