

PART/PRINT #:

PART DESCRIPTION:

SCALE:

REVISION:

DATE:

AKP10070

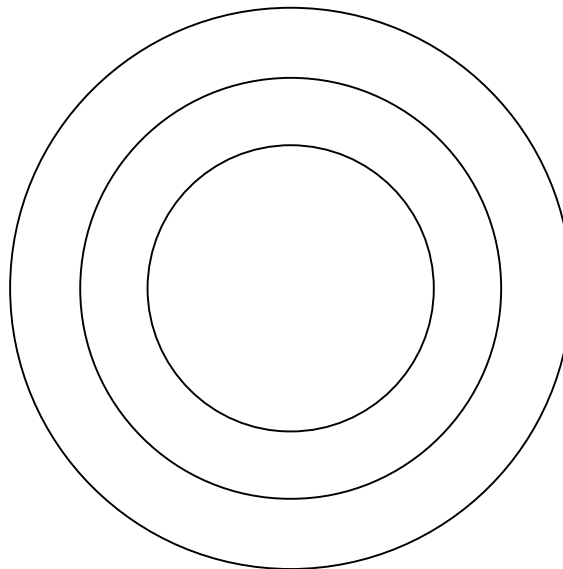
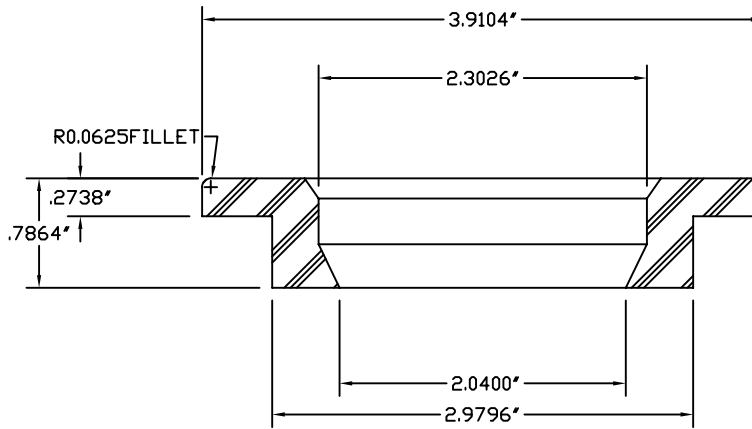
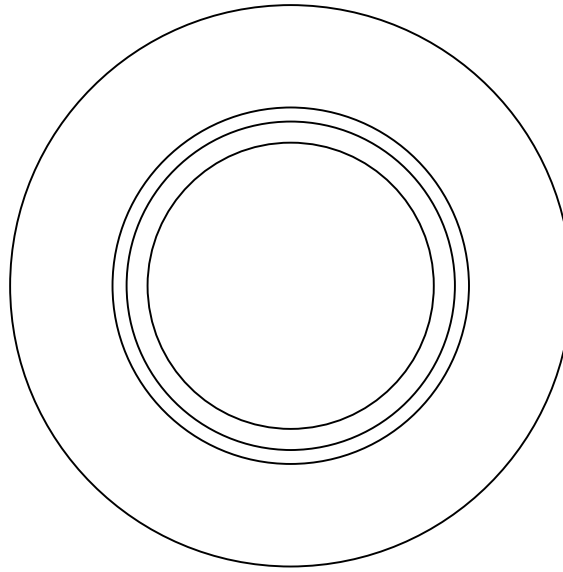
NEOPRENE ADAPTALEX 2"

NOT TO SCALE

002

12/27/02

THIS DRAWING IS THE SOLE PROPERTY OF AK INDUSTRIES INC.



B.O.M
AKR50440 2" ADAPTALEX



AK INDUSTRIES INC.
2055 PIDCO DR.
PLYMOUTH, IN. 46563
PHONE: (574) 936-6022

DRAWN BY:
M. OLIVAREZ

TOLERANCE:
± 0.0250 UNLESS SPECIFIED OTHERWISE

SIGNATURE: