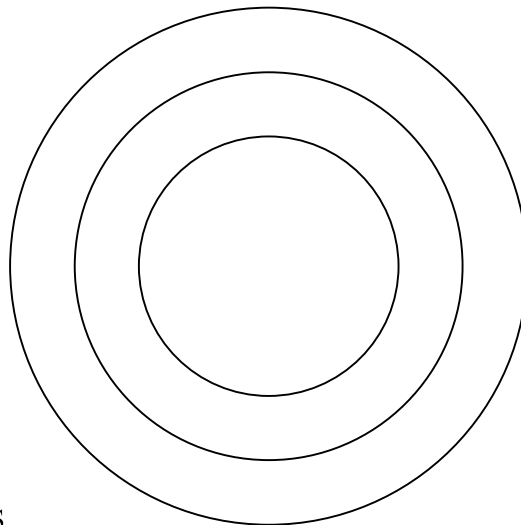
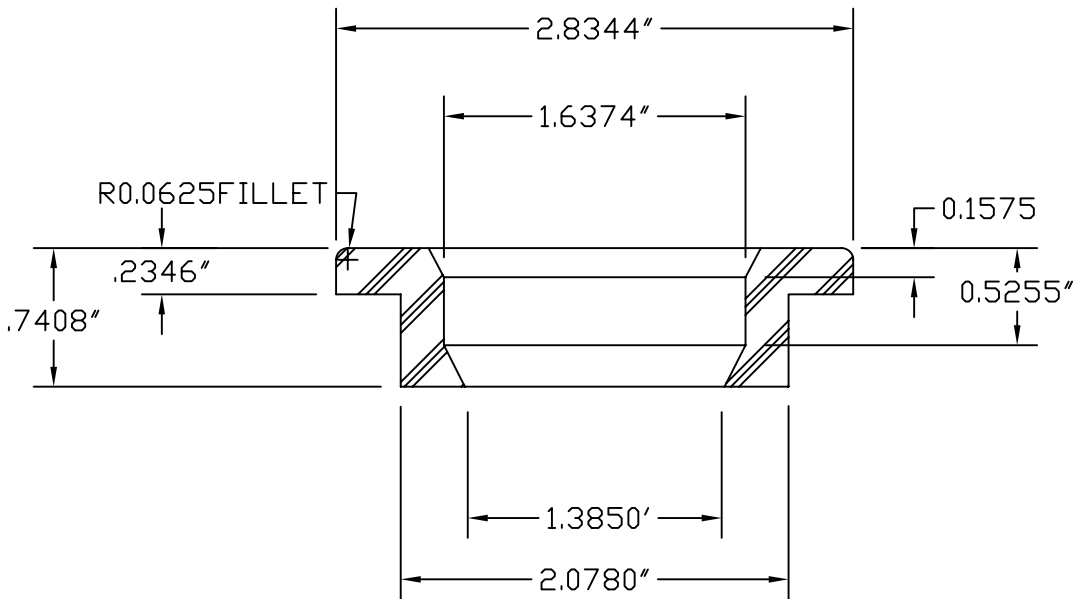
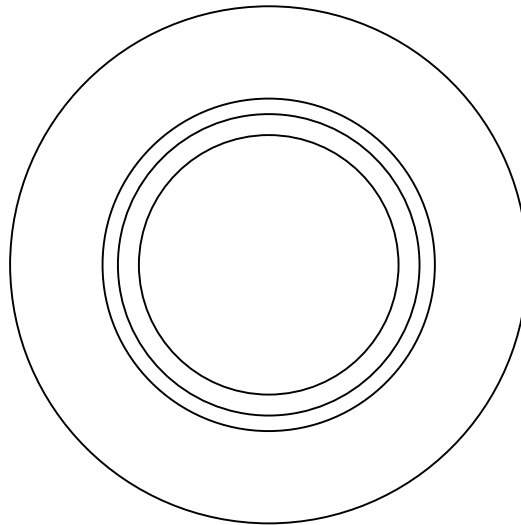


PART/PRINT #:	PART DESCRIPTION:	SCALE:	REVISION:	DATE:
AKP10035	NEOPRENE ADAPTAFLEX 1.25" FOR 2" HOLE	NOT TO SCALE	002	12/27/02

THIS DRAWING IS THE SOLE PROPERTY OF AK INDUSTRIES INC.



B.O.M
 AKR50360 1 1/4" ADAPTAFLEX NS

 AK INDUSTRIES INC. 2055 PIDCO DR. PLYMOUTH, IN. 46563 PHONE: (574) 936-6022	DRAWN BY:	TOLERANCE:	SIGNATURE:
	M. OLIVAREZ	± 0.0250 UNLESS SPECIFIED OTHERWISE	