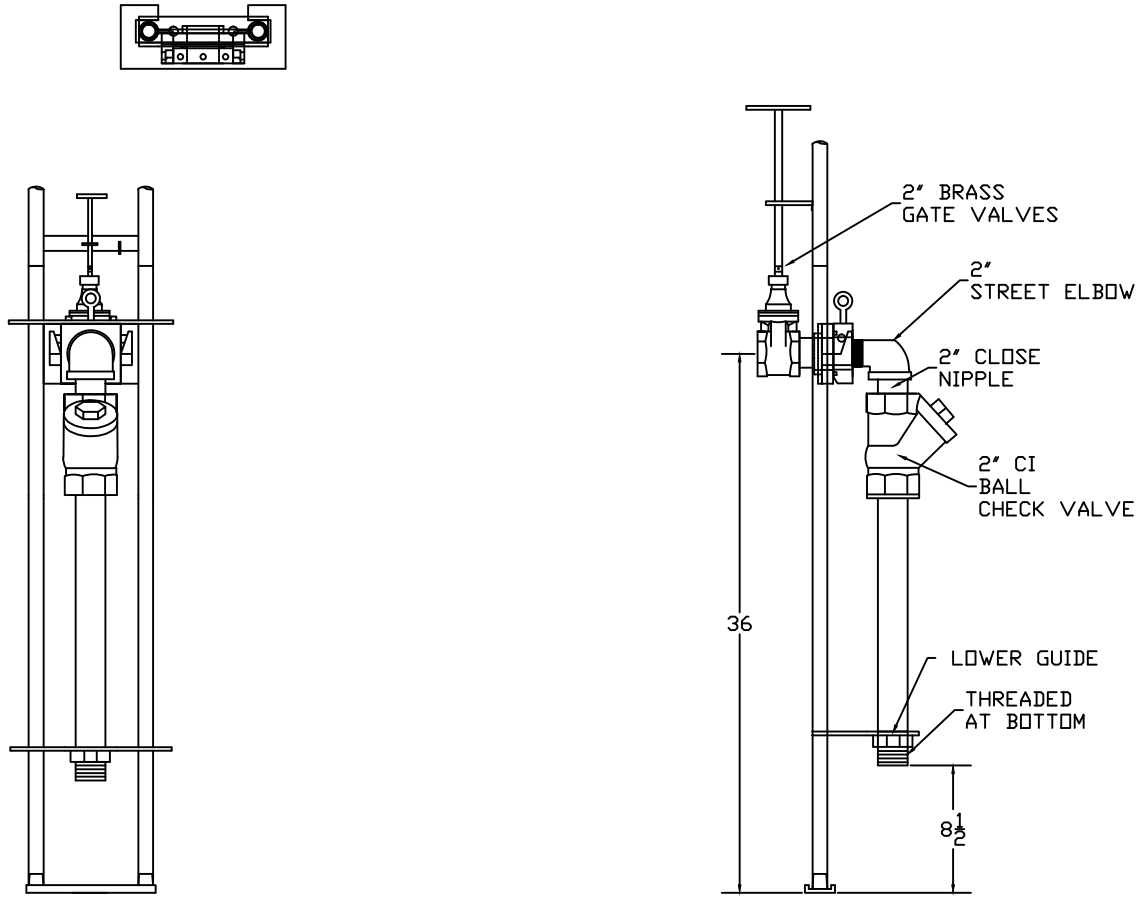


PART/PRINT NO. -----	PART DESCRIPTION 2" SIMPLEX SS AK RAIL SYSTEM	DATE 04/4/07
-------------------------	---	------------------------

THIS DRAWING IS THE SOLE PROPERTY OF AK INDUSTRIES INC.



 AK INDUSTRIES INC. 2055 PIDCO DR. PLYMOUTH, IN. 46563 PHONE:(574) 936-6022	DRAWN BY: J.CONLEY	SCALE: NOT TO SCALE	REVISION #:	SIGNATURE:
--	---------------------------	----------------------------	-------------	------------