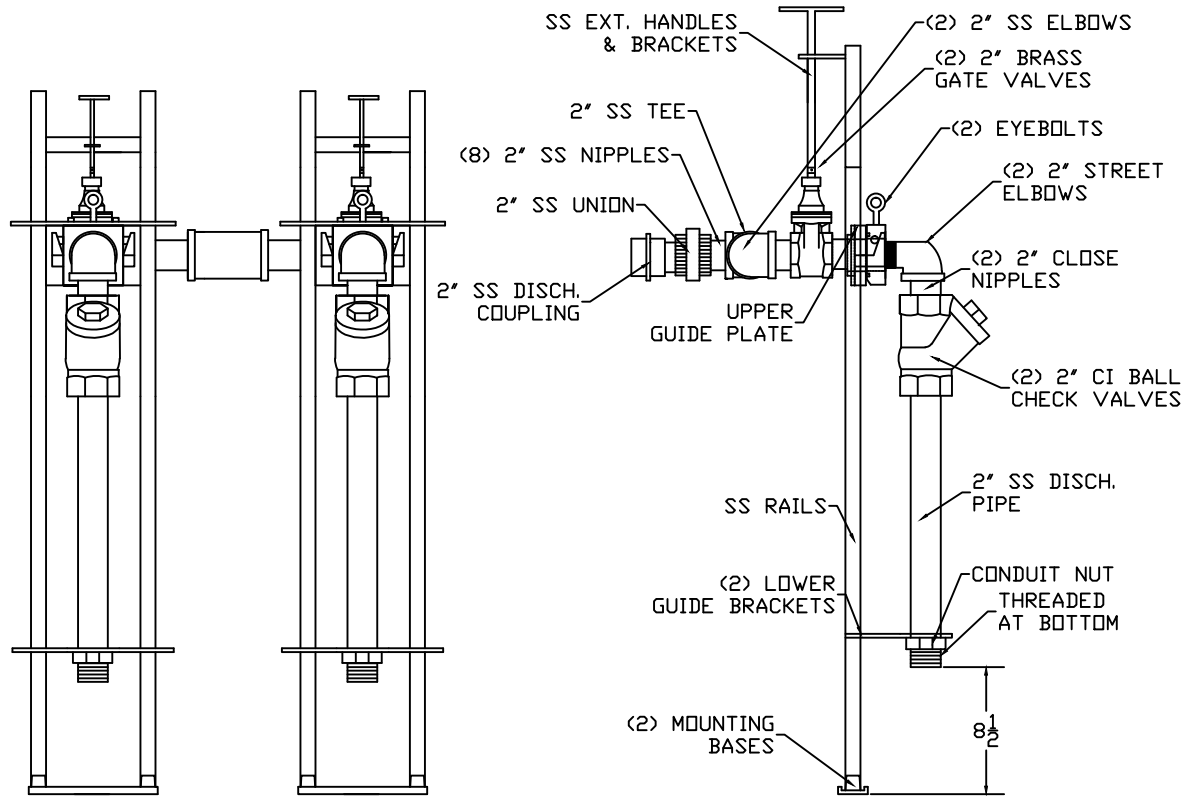


|                         |  |                        |
|-------------------------|--|------------------------|
| PART/PRINT NO.<br>----- | PART DESCRIPTION<br><b>2" DUPLEX SS AK RAIL SYSTEM</b> | DATE<br><b>04/4/07</b> |
|-------------------------|--|------------------------|

THIS DRAWING IS THE SOLE PROPERTY OF AK INDUSTRIES INC.



|   |                            |                            |             |            |
|---|----------------------------|----------------------------|-------------|------------|
|  AK INDUSTRIES INC.<br>2055 PIDCO DR.<br>PLYMOUTH, IN. 46563<br>PHONE: (574) 936-6022 | DRAWN BY:<br><br>J. CONLEY | SCALE:<br><br>NOT TO SCALE | REVISION #: | SIGNATURE: |
|---|----------------------------|----------------------------|-------------|------------|