

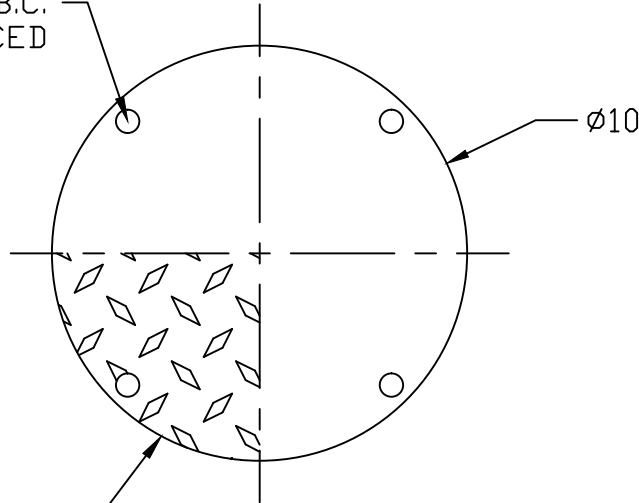
PART/PRINT NO.  
LA-IP-A

PART DESCRIPTION  
10" ROUND ALUMINUM INSPECTION PLATE

DATE  
08/24/15

THIS DRAWING IS THE THE SOLE PROPERTY OF AK INDUSTRIES INC.

(4) 9/16" HOLES  
ON A 9"Ø B.C.  
EQUALLY SPACED



ALUMINUM INSPECTION PLATE  
W/ DIAMOND TREAD PLATE



AK INDUSTRIES INC.  
2055 PIDCO DR.  
PLYMOUTH, IN. 46563  
PHONE:(574) 936-6022

DRAWN BY:  
A.HARTUNG

SCALE:  
NOT TO SCALE

REVISION #:

SIGNATURE: