

PART/PRINT NO.

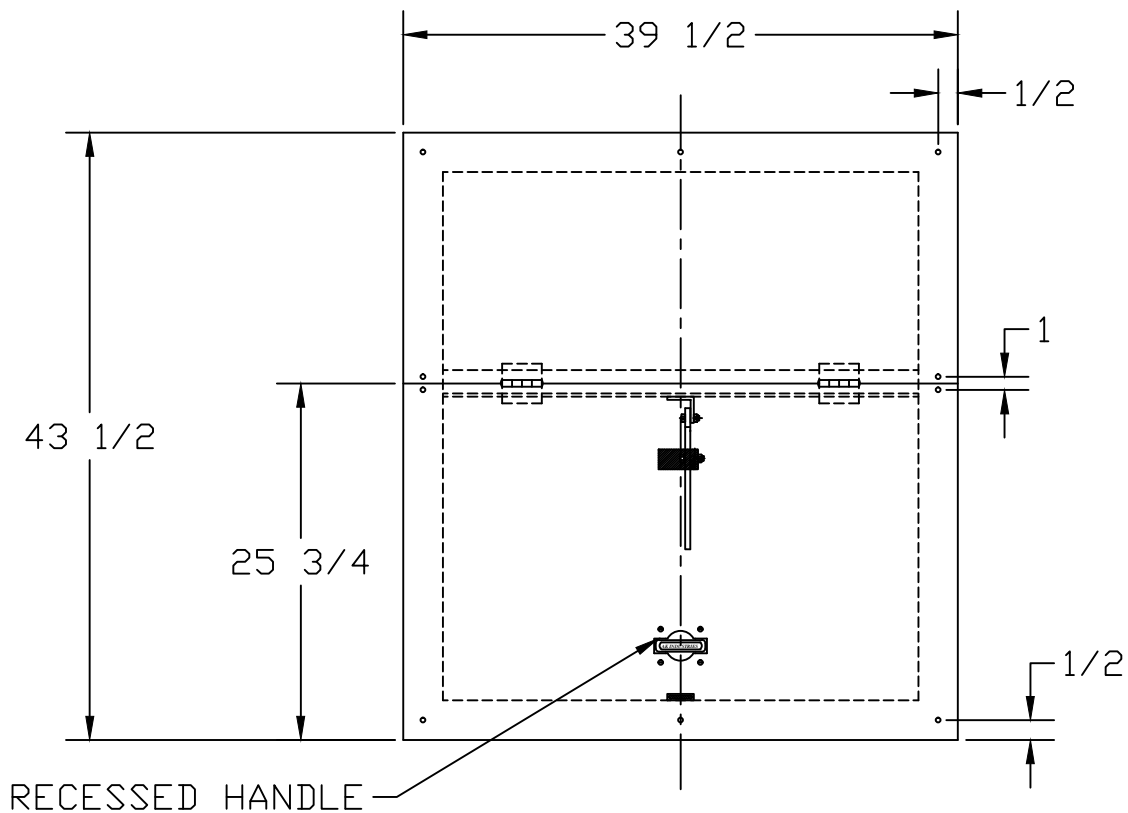
PART DESCRIPTION

36X40X36 SQUARE VALVE VAULT COVER

DATE

03/14/07

THIS DRAWING IS THE THE SOLE PROPERTY OF AK INDUSTRIES INC.



RECESSED HANDLE



AK INDUSTRIES INC.
 2055 PIDCO DR.
 PLYMOUTH, IN. 46563
 PHONE:(574) 936-6022

DRAWN BY:

J.CONLEY

SCALE:

NOT TO SCALE

REVISION #:

SIGNATURE: