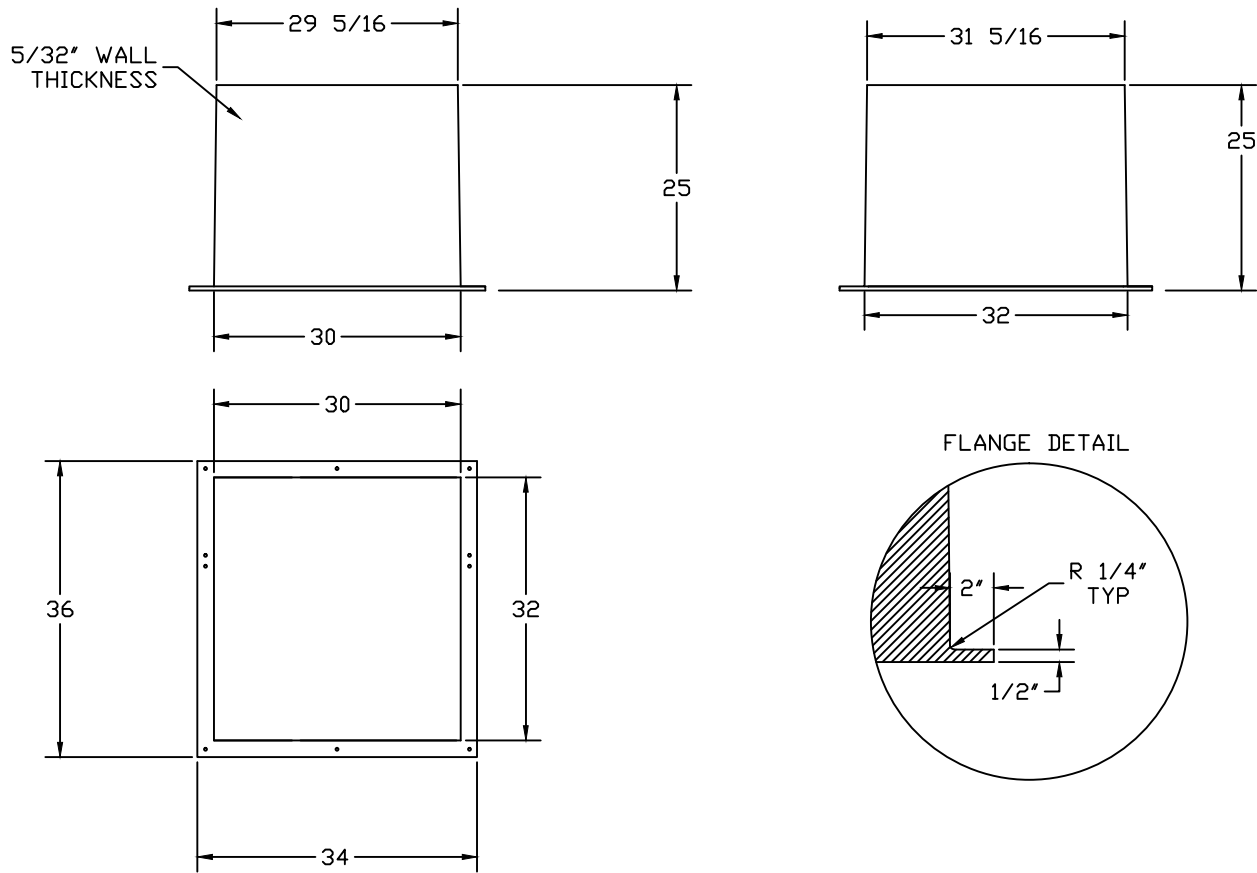


PART/PRINT NO. -----	PART DESCRIPTION 30 x 32 x 25 VALVE BOX	DATE 10/20/14
-------------------------	--	------------------

THIS DRAWING IS THE SOLE PROPERTY OF AK INDUSTRIES INC.



 AK INDUSTRIES INC. 2055 PIDCO DR. PLYMOUTH, IN. 46563 PHONE: (574) 936-6022	DRAWN BY: J. CONLEY	SCALE: NOT TO SCALE	REVISION #:	SIGNATURE:
---	------------------------	------------------------	-------------	------------