

PART/PRINT #:

PART DESCRIPTION:

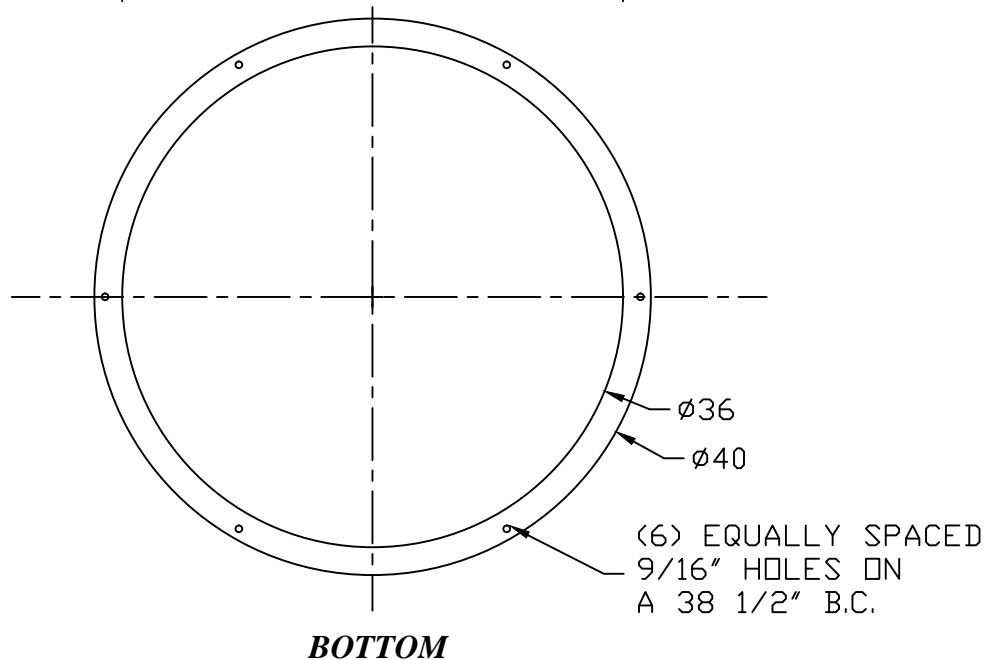
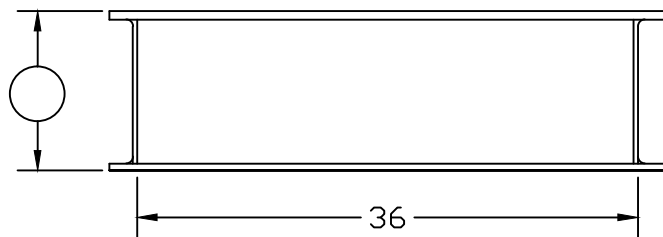
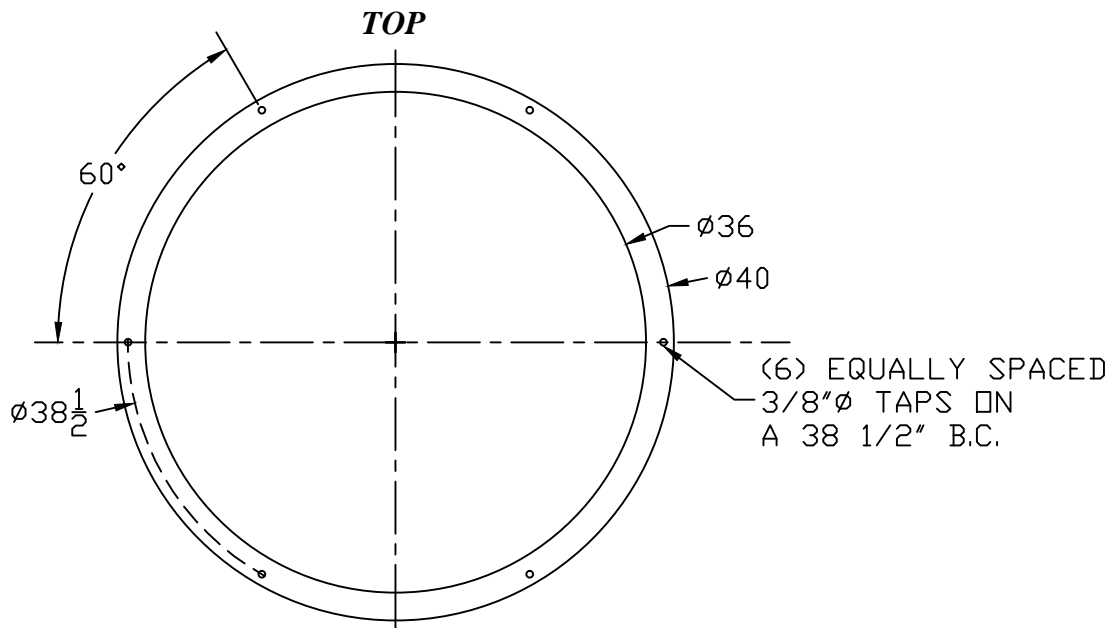
DATE:

36EXT

FIBERGLASS 36" EXTENSION

07/24/06

THIS DRAWING IS THE SOLE PROPERTY OF AK INDUSTRIES INC.



AK INDUSTRIES INC.
2055 PIDCO DR.
PLYMOUTH, IN. 46563
PHONE: (574) 936-6022

DRAWN BY:
J. CONLEY

SCALE:
NOT TO SCALE

REVISION#:

SIGNATURE: