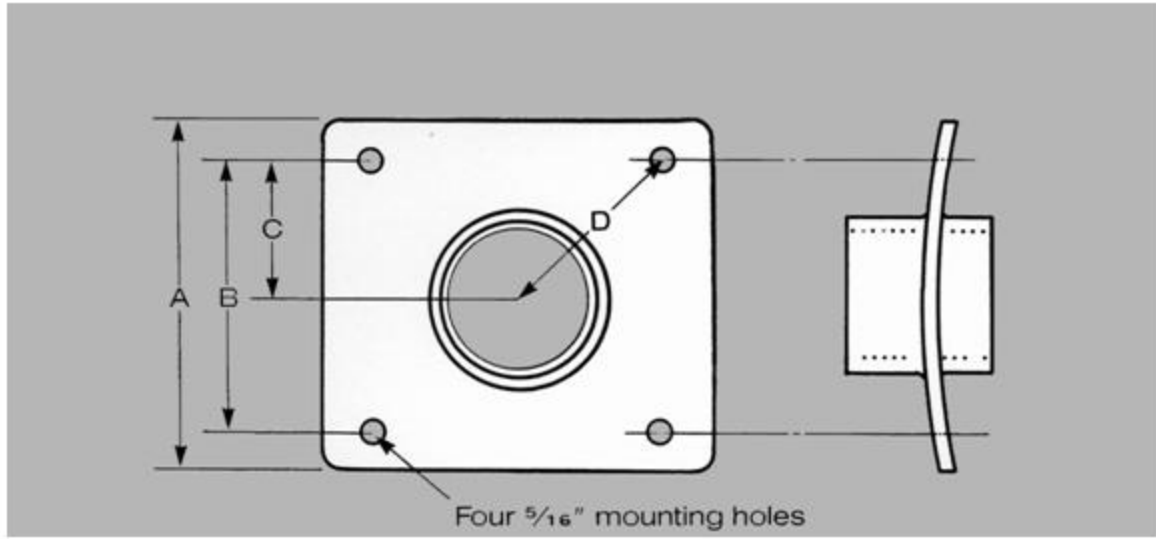


PLASTIC FULL COUPLING



CONSTRUCTED FROM GLASS FILLED NYLON (RECOMMENDED FOR ELECTRICAL CONNECTION). COUPLINGS INCLUDE GASKET, NUTS, BOLTS, AND WASHERS.

SIZE	1 1/4"	1 1/2"	2"
A	6"	6"	6"
B	4 3/8"	4 3/8"	4 3/8"
C	2 3/16"	2 3/16"	2 3/16"
D	3 1/4"	3 1/4"	3 1/4"

INSTALLATION INSTRUCTIONS

- 1) FIND LOCATION WHERE CENTER OF COUPLING WILL BE POSITIONED ON BASIN.
- 2) DRILL OR CUT HOLE IN BASIN TO ACCEPT OUTSIDE DIAMETER OF THE COUPLING BEING INSTALLED.
- 3) PLACE THE COUPLING ON THE BASIN WALL AND DRILL MOUNTING HOLES IN BASIN WALL TO MATCH COUPLING PLATE.
- 4) APPLY GASKET TO BACK OF PLATE AND MOUNT ON BASIN.
- 5) INSERT NUTS, BOLTS, WASHERS, AND THEN TIGHTEN IN PLACE.