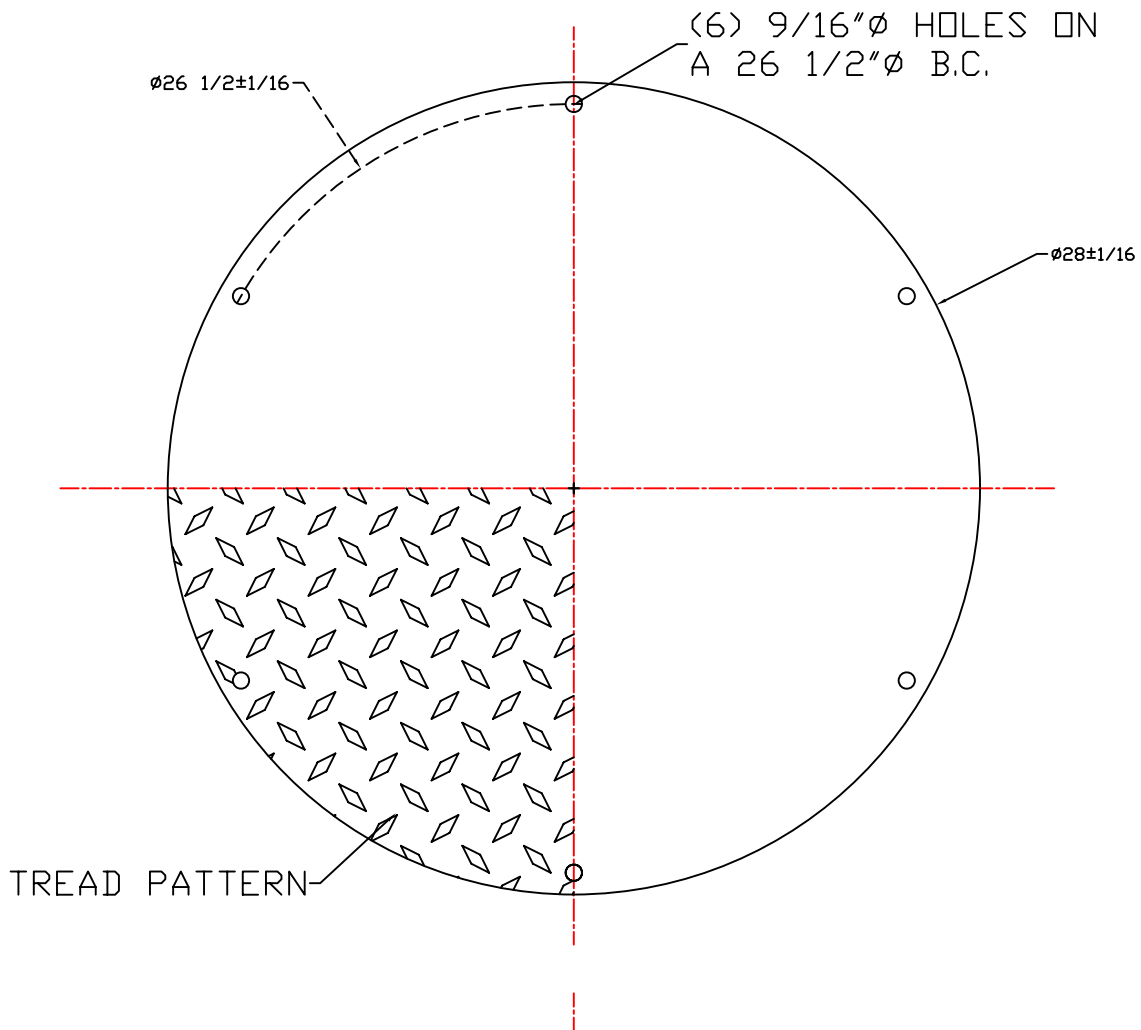


PART/PRINT NO.
AKP90000

PART DESCRIPTION
24" ROUND FIBERGLASS SOLID COVER

REVISION
000

DATE
12/14/07



NOTE:
1. LIDS MAY BE CONVEX NO MORE THAN .250
2. LIDS CANNOT BE CONCAVE

B.O.M
AKR20090 28 RTM TREAD COVER
AKP90005 24" RTM GLASS COVER GASKET PACK

DRAWN
M.Olivarez

MATERIAL
FIBERGLASS

TOLERANCE
+/- .125 UNLESS SPECIFIED OTHERWISE

SIGNATURE