

PART/PRINT #:

PART DESCRIPTION:

SCALE:

REVISION:

DATE:

AKP38065

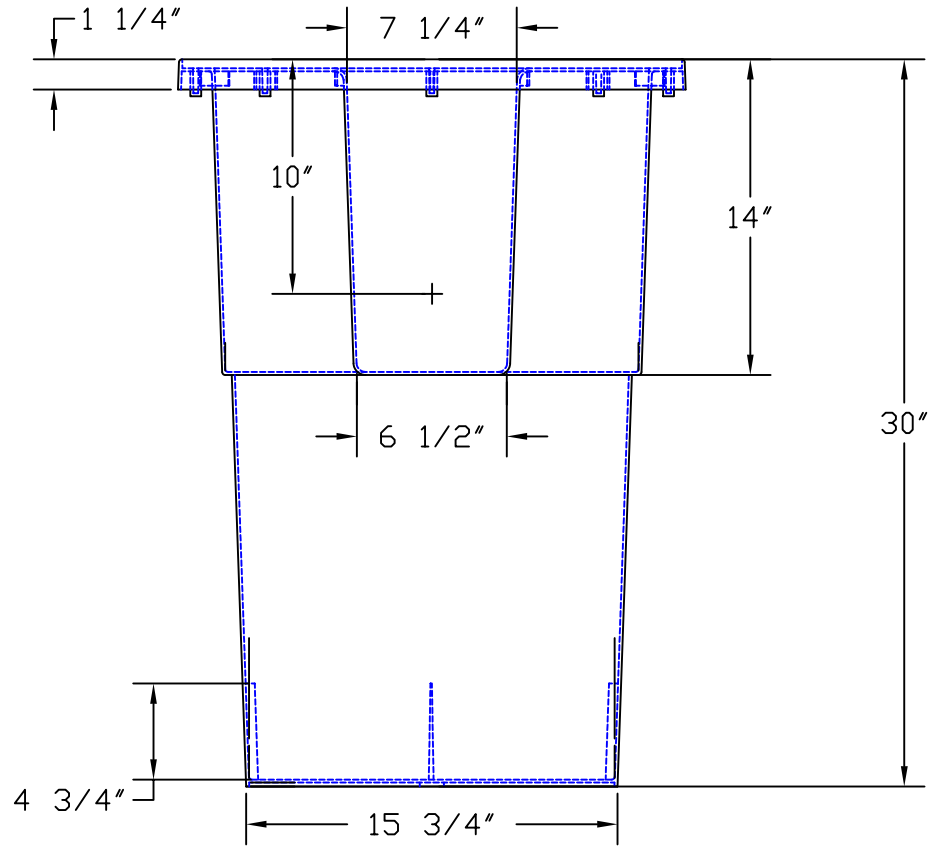
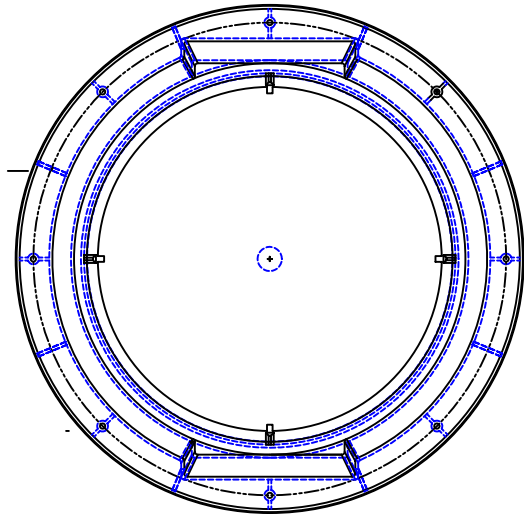
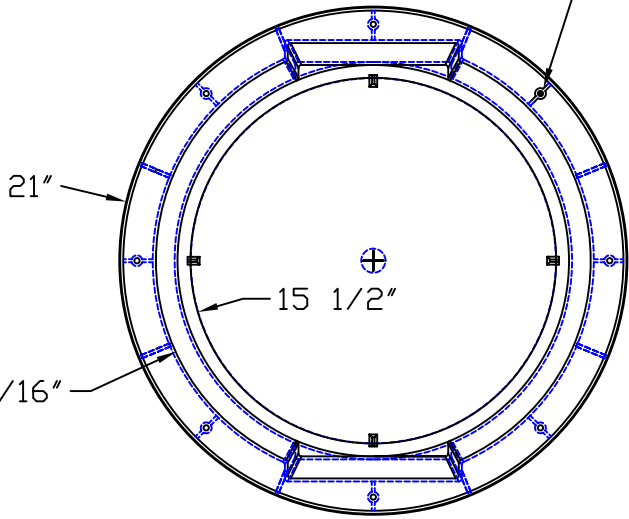
POLYPRO BASIN 18X30 (1) 4" HOLE NO HOLE (LOOSE)

NOT TO SCALE

002

9/2/03

(8) 3/16" PILOT HOLES ARE SET ON A 19 1/2" DIAMETER



THIS DRAWING IS THE SOLE PROPERTY OF AK INDUSTRIES INC.

**B.O.M**  
**AKR100035 PRO 18X30**  
**AKP10111 4" CSH 40 ADAPTA FLEX W/RETAINING RING**



AK INDUSTRIES INC.  
 2055 PIDCO DR.  
 PLYMOUTH, IN. 46563  
 PHONE: (574) 936-6022

DRAWN BY:  
 M. OLIVAREZ

TOLERANCE:  
 ± 0.0312 UNLESS SPECIFIED OTHERWISE

SIGNATURE: