

PART/PRINT #:
AKP38060

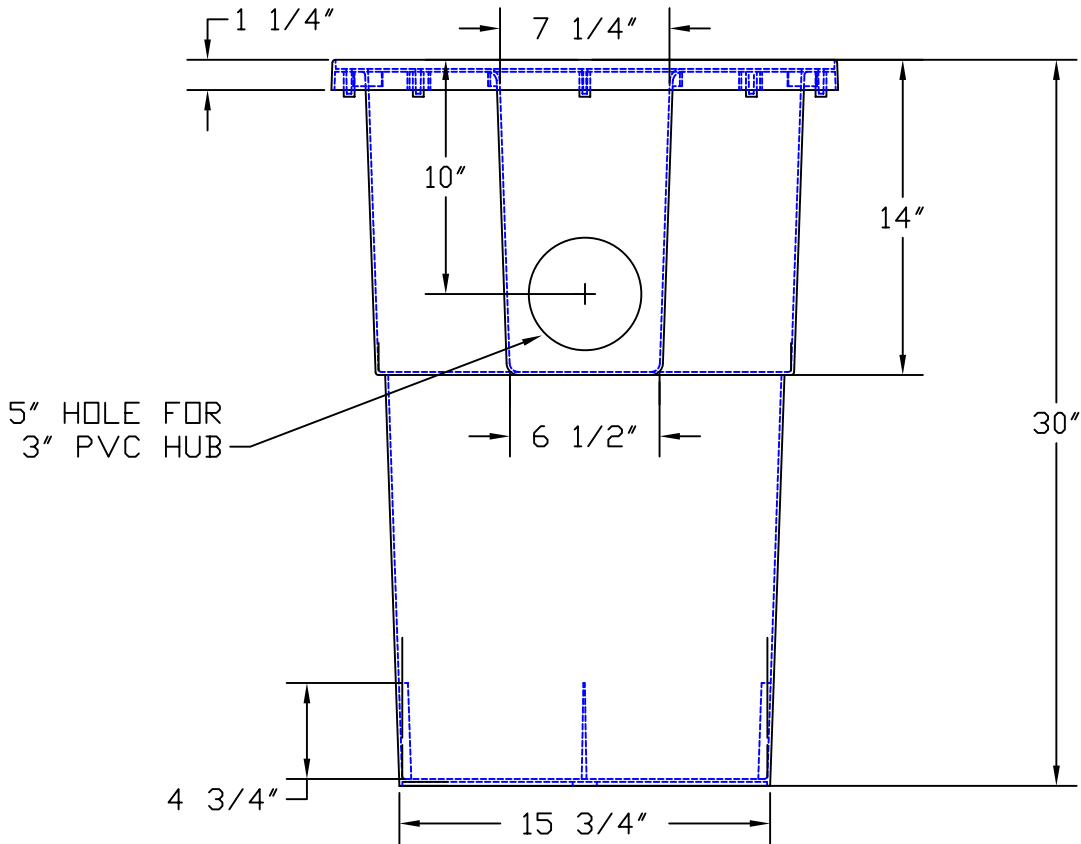
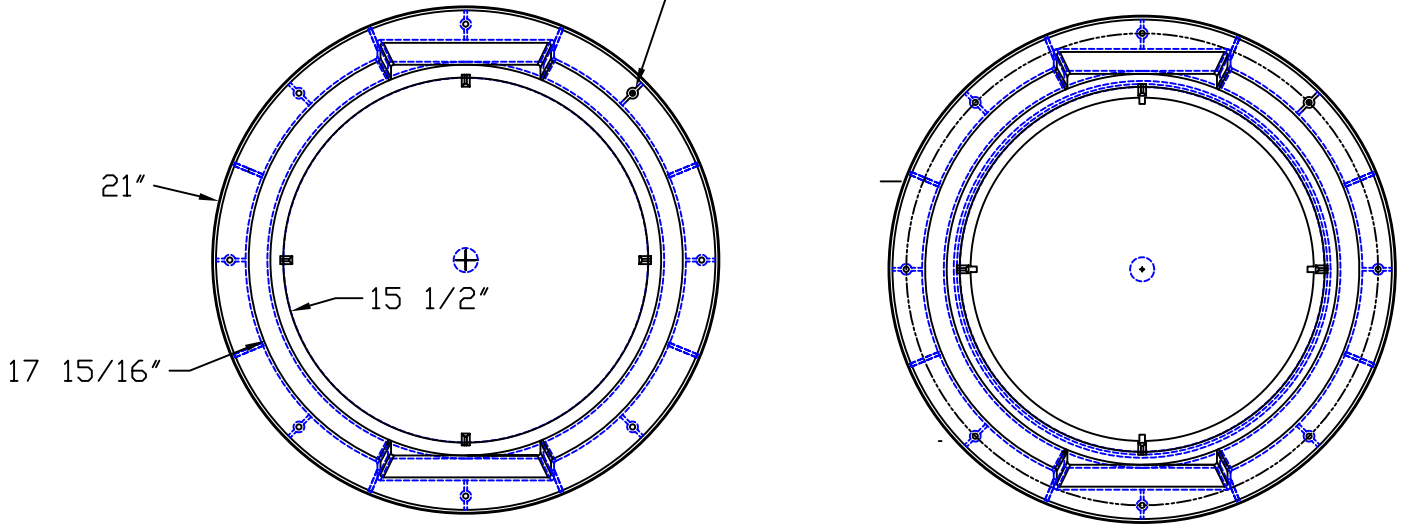
PART DESCRIPTION:
POLYPRO BASIN 18X30 (1) PVC INLET (LOOSE)

SCALE:
NOT TO SCALE

REVISION:
002

DATE:
9/2/03

(8) 3/16" PILOT HOLES ARE SET ON A 19 1/2" DIAMETER



5" HOLE FOR
3" PVC HUB

THIS DRAWING IS THE SOLE PROPERTY OF AK INDUSTRIES INC.

B.O.M

AKR100035 PRO 18X30

AKP10184 3" PVC HUB ASSEMBLY



AK INDUSTRIES INC.
2055 PIDCO DR.
PLYMOUTH, IN. 46563
PHONE:(574) 936-6022

DRAWN BY:
M.O LIVAREZ

TOLERANCE:
± 0.0312 UNLESS SPECIFIED OTHERWISE

SIGNATURE: