

PART/PRINT #:

PART DESCRIPTION:

SCALE:

REVISION:

DATE:

AKP38045

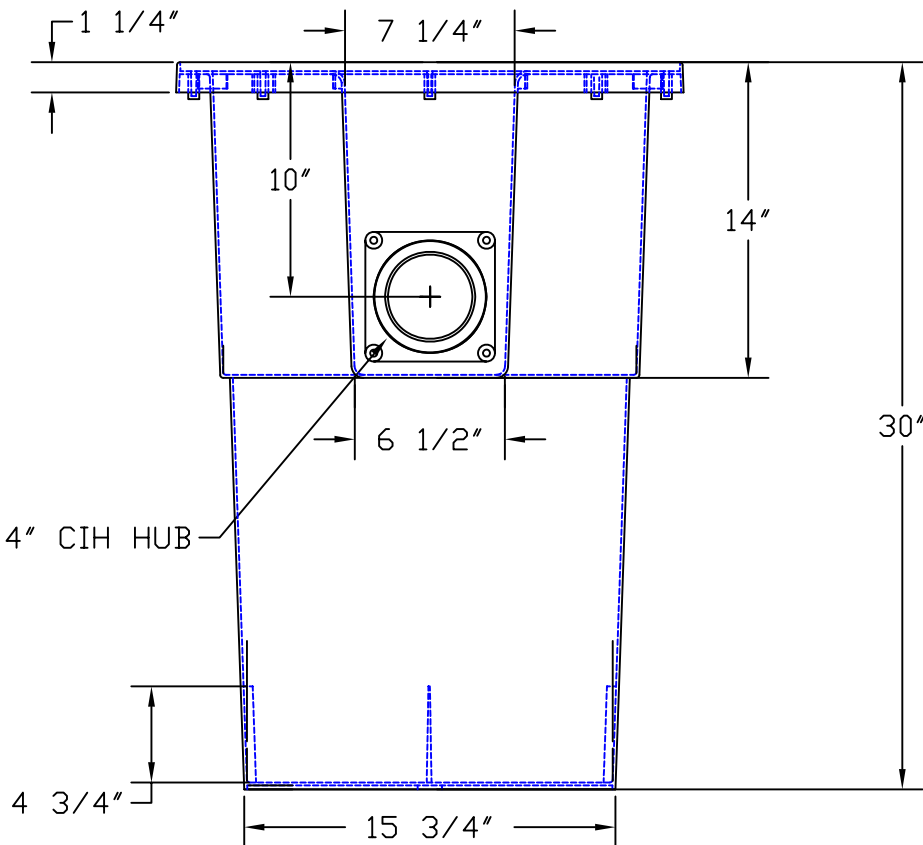
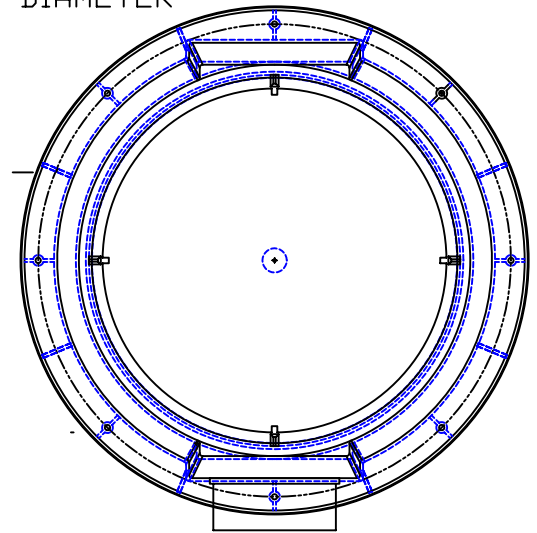
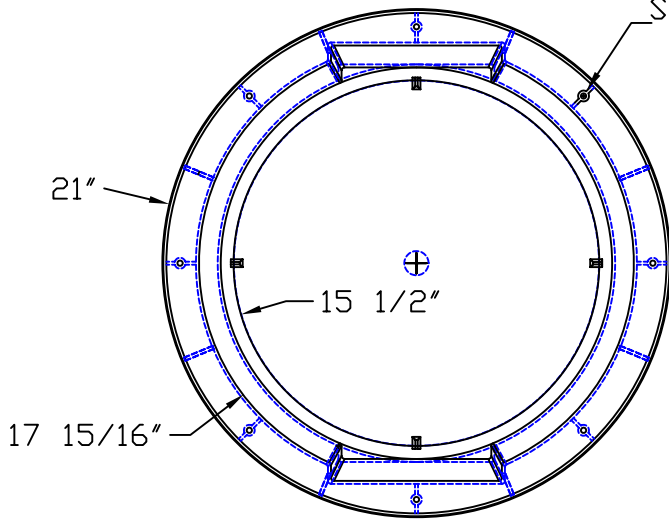
POLYPRO BASIN 18X30 (1) 4" CAST IRON HUB

NOT TO SCALE

002

9/2/03

(8) 3/16" PILOT HOLES ARE SET ON A 19 1/2" DIAMETER



4" HOLE FOR 4" CIH HUB

THIS DRAWING IS THE SOLE PROPERTY OF AK INDUSTRIES INC.

B.O.M

AKR100035 PRO 18X30

AK10180 CAST IRON HUB FLAT 4"



AK INDUSTRIES INC.
 2055 PIDCO DR.
 PLYMOUTH, IN. 46563
 PHONE: (574) 936-6022

DRAWN BY:

M. OLIVAREZ

TOLERANCE:

± 0.0312 UNLESS SPECIFIED OTHERWISE

SIGNATURE: