

PART/PRINT #:

PART DESCRIPTION:

SCALE:

REVISION:

DATE:

AKP38040

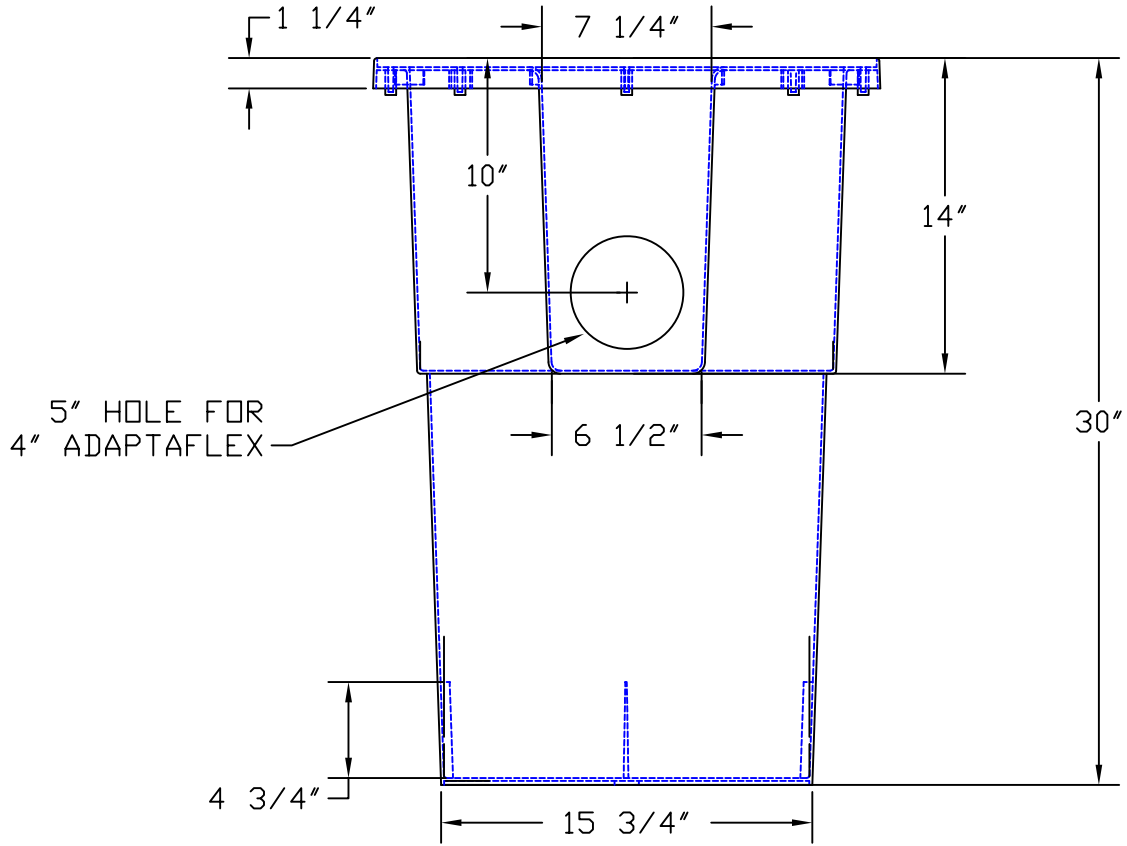
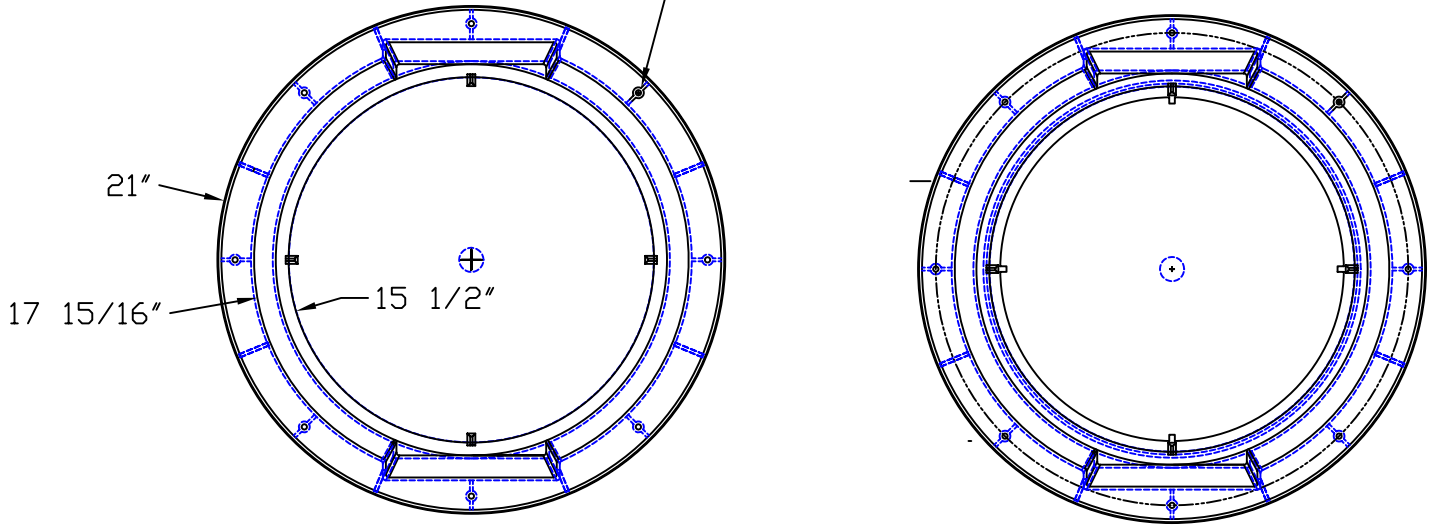
POLYPRO BASIN 18X30 (1) 4" AAF (LOOSE)

NOT TO SCALE

002

9/2/03

(8) 3/16" PILOT HOLES ARE SET ON A 19 1/2" DIAMETER



THIS DRAWING IS THE SOLE PROPERTY OF AK INDUSTRIES INC.

B.O.M

AKR100035 PRO 18X30

AKP10111 4" SCH 40 ADAPTAFLEX W/RETAINING RING



AK INDUSTRIES INC.
2055 PIDCO DR.
PLYMOUTH, IN. 46563
PHONE:(574) 936-6022

DRAWN BY:
M.Olivarez

TOLERANCE:
± 0.0312 UNLESS SPECIFIED OTHERWISE

SIGNATURE: