

PART/PRINT #:

AKP38000

PART DESCRIPTION:

POLYPRO BASIN 18X30

SCALE:

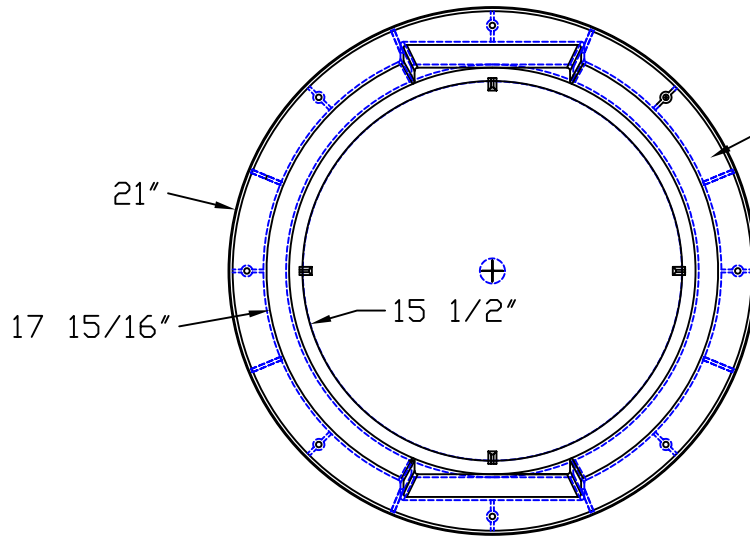
NOT TO SCALE

REVISION:

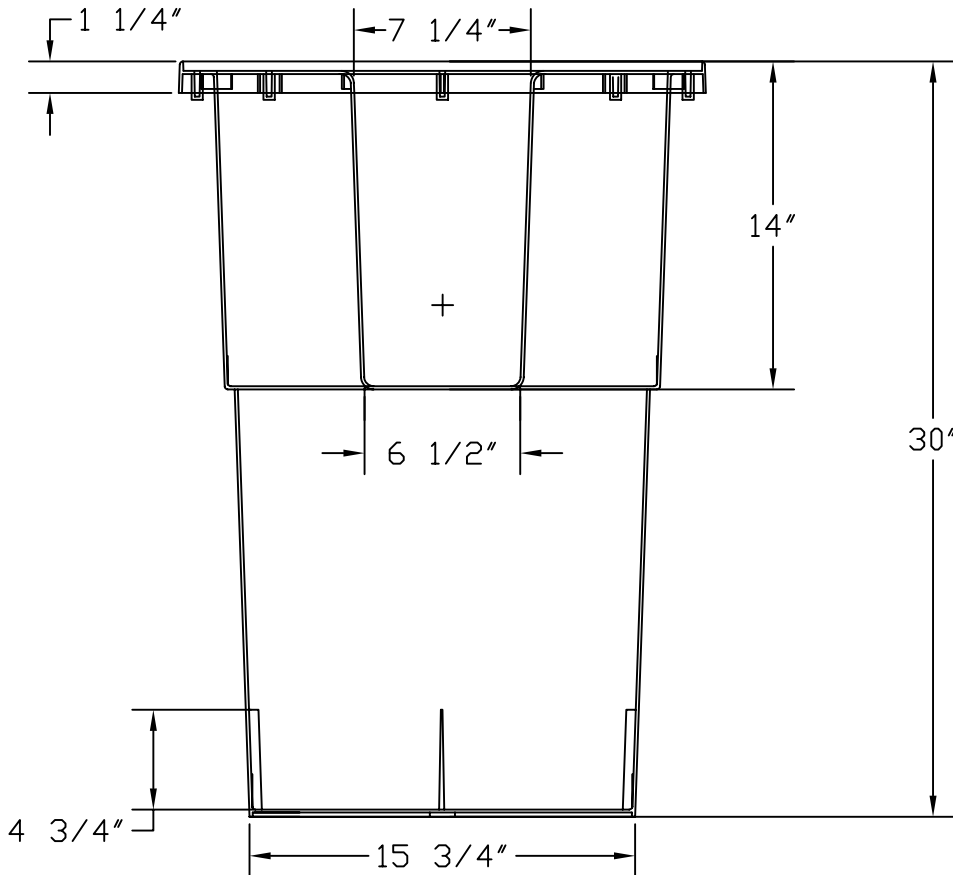
001

DATE:

8/29/03



(8) 3/16" PILOT HOLES ARE SET ON A 19 1/2" DIAMETER



THIS DRAWING IS THE SOLE PROPERTY OF AK INDUSTRIES INC.

B.O.M

AKR100035 PRO 18X30



AK INDUSTRIES INC.
2055 PIDCO DR.
PLYMOUTH, IN. 46563
PHONE:(574) 936-6022

DRAWN BY:

M.O LIVAREZ

TOLERANCE:

± 0.0312 UNLESS SPECIFIED OTHERWISE

SIGNATURE: