

NOTE: ALL DIMENSIONS ARE IN INCHES.

MATERIALS OF CONSTRUCTION:

BASE ELBOW: CAST DUCTILE IRON

LIFT-OUT FLANGE: CAST DUCTILE IRON

LOWER GUIDE BRACKET: 304 SST

ALL FASTENERS ARE 304 SERIES SST

USEABLE GUIDE RAIL SIZES:  $\frac{3}{4}$ " , 1" ,  $1\frac{1}{4}$ "

SPHERICAL SOLIDS SIZE: 3" Diameter.

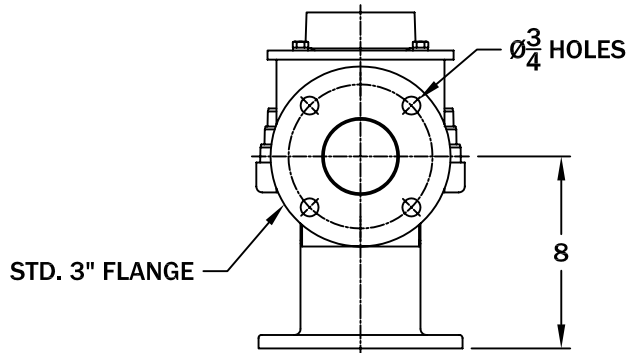
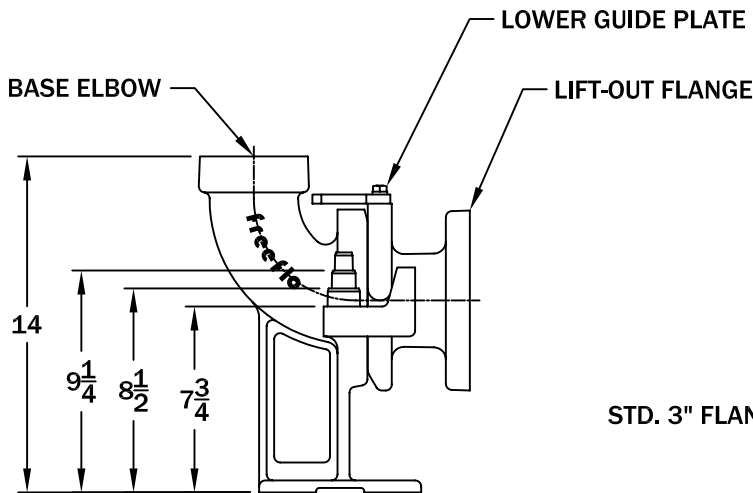
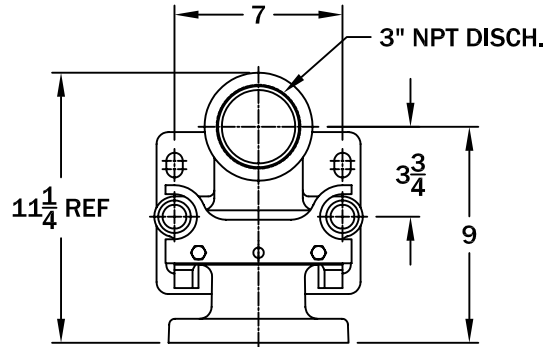
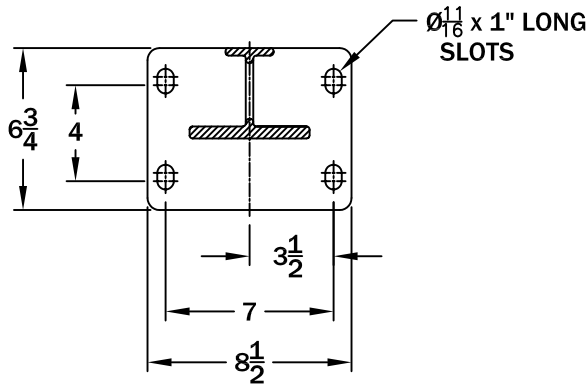
MAXIMUM WEIGHT ALLOWANCE: 400lbs.

BERS-0300H

PAGE

1

MOUNTING DIMENSIONS



ALL INFORMATION CONTAINED IN THIS DRAWING IS CONFIDENTIAL AND PROPRIETARY TO CONERY MFG, INC.



MFG INC

CHANGES	TOLERANCES	DRAWN BY	DATE
F	DECIMALS	D. MIDDLETON	07/15/04
E	.XXX = $\pm 0.005$	MATERIAL SPECIFICATION:  AS NOTED	
D	.XX = $\pm 0.010$		
C	FRACTIONAL		
B	X/X = $\pm 1/64$		
A	ANGLES		
	X' = $\pm 1/2$ '		

SPECIFICATION SHEET  
DIMENSIONAL DATA

SCALE:	PART NO.
1/8	3" LIFT OUT DIM